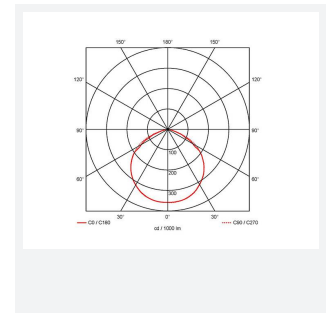
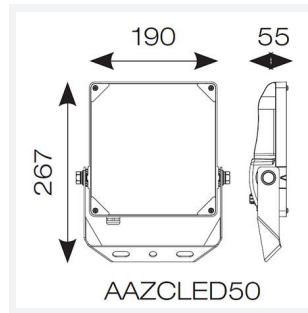




Aztec Coastal Symmetrical

| | |
|----------------------|--|
| Category | Floodlights |
| Application | Ancillary, Commercial, Education, Healthcare, Hospitality, Industrial, Outdoor, Retail |
| Specification | Performance |

Aztec Coastal Symmetrical Floodlight 50W
Code: AAZCLED50/PC



PRODUCT FEATURES

- High performance die-cast marine grade aluminium LED floodlight suitable for industrial and coastal applications
- Suitable for highly corrosive environments; including coastal and swimming pool applications
- Pre-wired with 1.5 metre of rubber insulated cable for ease of installation
- High purity aluminium construction, surface electrophoresis and corrosion-proof treatment
- 304L stainless steel mounting bracket and fixings
- Pre-installed breathable gland prevents internal moisture accumulation
- Concentrated saline 3,000 hour salt spray test to EN ISO 9227
- Salt mist spray test verified

| GENERAL INFORMATION | |
|----------------------------------|--------------|
| Wattage | 50W |
| Lumens Delivered | 7000lm |
| Lm/W | 140lm/W |
| Beam Angle | 115 |
| CRI | 70 |
| CCT | 5000K |
| Input | 220-240V |
| Operating Temp | -30°C - 50°C |
| SDCM | 5 |
| Product Weight without Packaging | 2.032 kg |

| TECHNICAL INFORMATION | |
|--------------------------------|-------------|
| Light Source | LED |
| Colour / Finish | Aluminium |
| IP Rating | IP66 |
| Class Protection | 1 |
| Internal / External | External |
| Surface / Recessed / Suspended | Pole, Wall |
| Lumen Depreciation | L80 54,000h |
| Warranty (Years) | 5 |
| CE Mark | Yes |
| Height | 267 mm |

