



Category	Floodlights
Application	Ancillary, Commercial, Education, Healthcare, Hospitality, Industrial, Outdoor, Retail
Specification	Performance

Aztec Coastal Asymmetric

Aztec Coastal Asymmetrical Floodlight 150W

Code: AAZCLED150/ASY

PRODUCT FEATURES

- High performance die-cast marine grade aluminium LED floodlight suitable for industrial and coastal applications
- Marine grade construction ideal for coastal and adverse weather, swimming pool and chemical plant applications
- Pre-installed breathable gland prevents internal moisture accumulation
- Concentrated saline 3,000 hour salt spray test to EN ISO 9227
- 304L stainless steel mounting bracket and fixings
- High output, high efficiency asymmetric lens technology for anti-light pollution
- Pre-wired with 1.5 metre of rubber insulated cable for ease of installation
- High purity aluminium construction, surface electrophoresis and corrosion-proof treatment

GENERAL INFORMATION

Wattage	150W
Lumens Delivered	21100lm
Lm/W	141lm/W
Beam Angle	60/120
CRI	70
CCT	5000K
Input	220/240V
Operating Temp	-30°C - 50°C
SDCM	5
Product Weight without Packaging	4.052 kg

TECHNICAL INFORMATION

Light Source	LED
Colour / Finish	Aluminium
IP Rating	IP66
Class Protection	1
Internal / External	External
Surface / Recessed / Suspended	Pole, Wall
Lumen Depreciation	L80 54,000h
Warranty (Years)	5
CE Mark	Yes
Height	360 mm

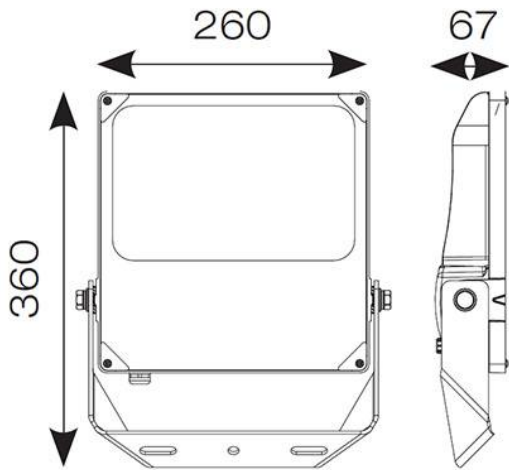




Category	Floodlights
Application	Ancillary, Commercial, Education, Healthcare, Hospitality, Industrial, Outdoor, Retail
Specification	Performance

Aztec Coastal Asymmetric

Aztec Coastal Asymmetrical Floodlight 150W
Code: AAZCLED150/ASY



AAZCLED150

