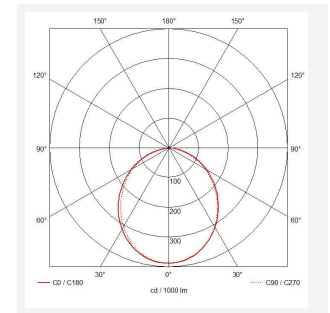
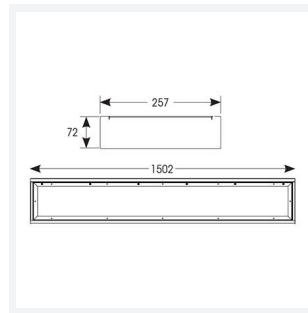




# ARX Linear

ARX Anti-Ligature Surface Linear CCT 1500mm  
Code: AARXL5/1/B/MWS

|               |                                                 |
|---------------|-------------------------------------------------|
| Category      | Commercial Linear                               |
| Application   | Commercial, Healthcare, Hospitality, Industrial |
| Specification | Performance                                     |



## PRODUCT FEATURES

- Ultra robust anti-ligature surface linear fitting suitable for healthcare, education and external subway/walkway applications
- Intelligently designed 2 part construction means fewer screws when removing and re-attaching front frame, ensuring a quick and easy installation
- IK10 and IP54 ratings ensure anti-vandal resistance and suitability for anti-ligature applications
- CCT selectable between 4000K, 5000K and 6000K and power selectable; offering a choice of 6 outputs in one luminaire

| GENERAL INFORMATION              |                     |
|----------------------------------|---------------------|
| Wattage                          | 14/28/43/57W        |
| Lumens Delivered                 | 1800-7300lm (4000K) |
| Lm/W                             | 130lm/W (4000K)     |
| Beam Angle                       | 100                 |
| CRI                              | 80                  |
| CCT                              | 4000/5000/6500K     |
| Input                            | 220-240V            |
| Operating Temp                   | -20°C - 40°C        |
| SDCM                             | 4                   |
| Product Weight without Packaging | 12.5 kg             |

| TECHNICAL INFORMATION          |                     |
|--------------------------------|---------------------|
| Light Source                   | LED                 |
| Colour / Finish                | Black               |
| IP Rating                      | IP65                |
| Class Protection               | 1                   |
| Internal / External            | Internal / External |
| Surface / Recessed / Suspended | Ceiling             |
| Lumen Depreciation             | L80 90,000h         |
| Warranty (Years)               | 5                   |
| CE Mark                        | Yes                 |
| Height                         | 82 mm               |

