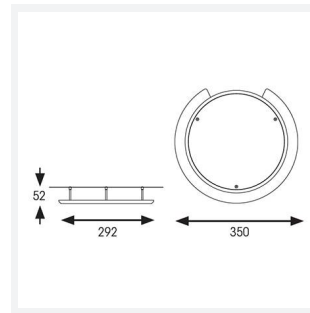




# ARX Downlight Kit

ARX Downlight Anti-Ligature Kit  
Code: AARXDLK/1

Category	Downlights
Application	Commercial, Education, Healthcare
Specification	Performance



## PRODUCT FEATURES

- Anti-ligature downlight recessing frame kit suitable for healthcare and education applications
- TP(a) polycarbonate diffuser and anti-tamper screws provides durability and resistance to vandalism
- Please note: This product comes supplied less downlight
- Slimline design blends into ceiling giving aesthetically pleasing, near seamless appearance of ceiling integration
- Suitable for use with all Comfort and Vantage downlight ranges

### GENERAL INFORMATION

Product Weight without Packaging 0.77

### TECHNICAL INFORMATION

Colour / Finish	White
Internal / External	Internal
Surface / Recessed / Suspended	Recessed
Warranty (Years)	5
Diameter	350 mm
Height	52 mm

