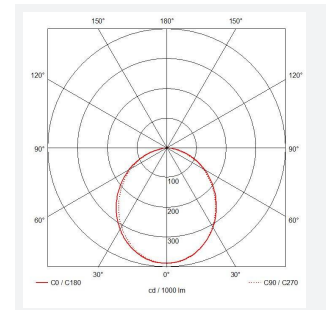
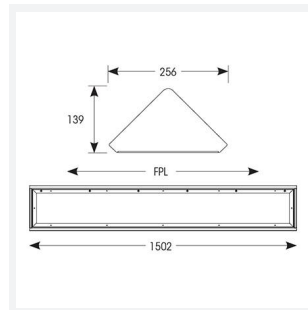


ARX Cornice

ARX Anti-Ligature CCT Cornice 1500mm Switch
Code: AARXC5/1/W/DD1

| | |
|---------------|---|
| Category | Commercial Linear |
| Application | Commercial, Healthcare, Hospitality, Industrial |
| Specification | Performance |



PRODUCT FEATURES

- Ultra robust anti-ligature Cornice fitting suitable for healthcare, education and external subway/walkway applications
- Intelligently designed 2 part construction means fewer screws when removing and re-attaching front frame, ensuring a quick and easy installation
- IK10 and IP54 ratings ensure anti-vandal resistance and suitability for anti-ligature applications
- CCT selectable between 4000K, 5000K and 6000K and power selectable; offering a choice of 6 outputs in one luminaire

| GENERAL INFORMATION | |
|----------------------------------|---------------------|
| Wattage | 14/28/43/57W |
| Lumens Delivered | 1800-7300lm (4000K) |
| Lm/W | 130lm/W (4000K) |
| Beam Angle | 100 |
| CRI | 80 |
| CCT | 4000/5000/6000K |
| Input | 220/240V |
| Operating Temp | -20°C - 40°C |
| SDCM | 4 |
| Product Weight without Packaging | 12.3 kg |

| TECHNICAL INFORMATION | |
|--------------------------------|---------------------|
| Light Source | LED |
| Colour / Finish | White |
| IP Rating | IP65 |
| Class Protection | 1 |
| Internal / External | Internal / External |
| Surface / Recessed / Suspended | Ceiling |
| Lumen Depreciation | L80 90,000h |
| Warranty (Years) | 5 |
| CE Mark | Yes |
| Height | 120 mm |

