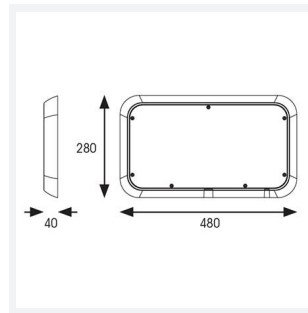




ARX Adler Exit Box

ARX Adler Anti-Ligature Exit Box
Code: AARXADK/1

Category	Emergency
Application	Commercial, Education, Healthcare
Specification	Performance



PRODUCT FEATURES

- Slimline frame design provides sleek appearance
- TP(a) polycarbonate diffuser and anti-tamper screws provides durability and resistance to vandalism
- Please note: This product comes supplied less Adler Exit Box
- Slimline frame design provides sleek appearance
- Only suitable for use with Adler exit box

GENERAL INFORMATION

Product Weight without Packaging 0.86

TECHNICAL INFORMATION

Colour / Finish	White
IP Rating	IP20
Internal / External	Internal
Surface / Recessed / Suspended	Wall
Warranty (Years)	5
Height	40 mm

