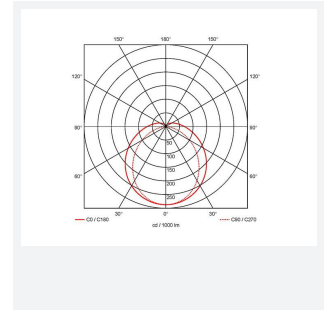
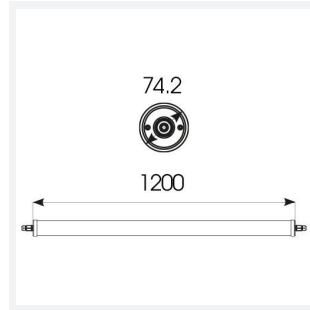
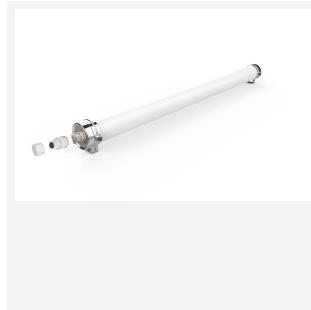


Apex

Apex IP69K Tubular 1200mm
Code: AAPEXLED/4

Category	Battens and Weatherproofs
Application	Industrial
Specification	Performance



PRODUCT FEATURES

- Industrial IP69K tubular surface or suspended Ideal for harsh applications such as garages, food industry, chemical plants and agriculture
- 316 Marine grade stainless steel end caps and fixings
- Quick and easy electrical connection without opening the luminaire
- Non-dimmable
- IP69K rating allows cleaning with high pressure and high temperature water
- PMMA IK09 body, resistant to mechanical stress
- Fast latching stainless steel mounting brackets provided, with optional suspension kit for versatile mounting

GENERAL INFORMATION	
Wattage	35W
Lumens Delivered	5700lm
Lm/W	162lm/W
Beam Angle	100/130
CRI	80
CCT	4000K
Input	220/240V
Operating Temp	-20°C - 40°C
SDCM	3
Product Weight without Packaging	1.925 kg

TECHNICAL INFORMATION	
Light Source	LED
Colour / Finish	White
IP Rating	IP69K
Class Protection	1
Internal / External	Internal / External
Surface / Recessed / Suspended	Ceiling, Suspended
Lumen Depreciation	L80 60,000h
Warranty (Years)	5
CE Mark	Yes
Accessories	AAPEXLED/SK

