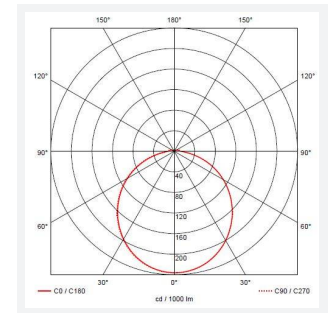
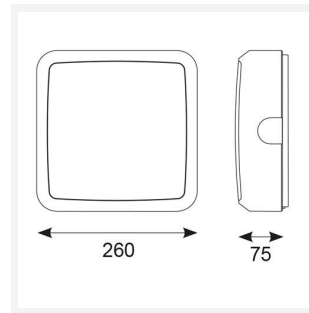
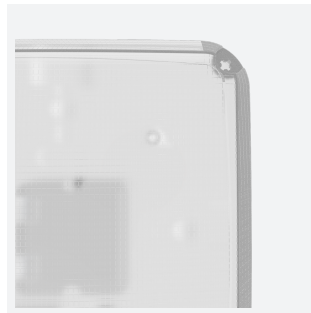




# Astro

**Astro CCT 2 DALI Microwave Sensor Black**  
**Code: AALED2/BV/CCT/DD3/MWS**

<b>Category</b>	Bulkheads
<b>Application</b>	Ancillary, Commercial, Education, Healthcare, Industrial, Outdoor
<b>Specification</b>	Architectural



- All polycarbonate multi-purpose LED square bulkhead suitable for ancillary areas and industrial applications
- Internal CCT selector switch allows the installer to choose the CCT between 3000K and 4000K
- Unique Visiluxe diffuser allows 90% light transmission from LED source for increased performance
- Push fit feed-in, feed-out terminals for speed and ease of installation
- Supplied c/w optional trim attachment which provides a more commercially aesthetic appearance
- Instant light output and unlimited switching

GENERAL INFORMATION	
Wattage	7W - 12W
Lumens Delivered	1000lm - 1700lm(4000K)
Lm/W	90lm/W (4000K)
Beam Angle	115
CRI	80
CCT	3000/4000/5700K
Input	220-240V
Operating Temp	-10°C - 25°C
SDCM	6
Product Weight without Packaging	0.01 kg

TECHNICAL INFORMATION	
Light Source	LED
Colour / Finish	Black / Visiluxe
IP Rating	IP65
Class Protection	2
Internal / External	Internal / External
Surface / Recessed / Suspended	Ceiling, Wall
Lumen Depreciation	L80 60,000h
Warranty (Years)	5
CE Mark	Yes

