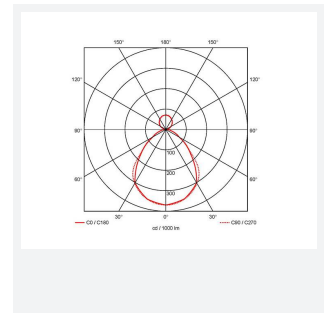
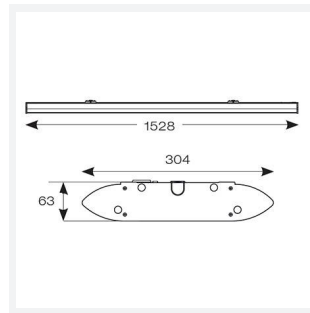
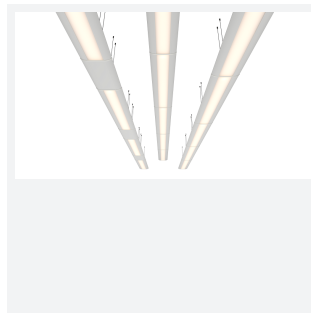




# Adrina

Adrina Suspended Linear CCT LO 1500mm DALI  
Code: AADRINA5/DD3/SM3

|               |                       |
|---------------|-----------------------|
| Category      | Commercial Linear     |
| Application   | Commercial, Education |
| Specification | Architectural         |



## PRODUCT FEATURES

- High specification linear luminaire suitable for education, commercial and large retail applications
- Supplied bi-directional light output as standard (directional only option can be selected if required)
- Suitable for individual or continuous surface or suspension mounting
- Powered by Tridonic
- UGR<19 (unified glare rating) compliant luminaire assisting to eliminate glare for visual comfort (AADRINA5 only)
- CCT selectable between 3000K and 4000K
- Dimmable and OCTO options available

| GENERAL INFORMATION              |                |
|----------------------------------|----------------|
| Wattage                          | 27W            |
| Lumens Delivered                 | 3600lm (4000K) |
| Lm/W                             | 130lm (4000K)  |
| Beam Angle                       | 90             |
| CRI                              | 80             |
| CCT                              | 3000/4000K     |
| Input                            | 220-240V       |
| Operating Temp                   | 0°C - 45°C     |
| SDCM                             | 3              |
| UGR                              | 19             |
| Product Weight without Packaging | 7.8 kg         |

| TECHNICAL INFORMATION          |                                       |
|--------------------------------|---------------------------------------|
| Light Source                   | LED                                   |
| Colour / Finish                | White                                 |
| IP Rating                      | IP20                                  |
| Class Protection               | 1                                     |
| Internal / External            | Internal                              |
| Surface / Recessed / Suspended | Ceiling, Suspended                    |
| Lumen Depreciation             | L80 100,000h                          |
| Warranty (Years)               | 5                                     |
| CE Mark                        | Yes                                   |
| Height                         | 63 mm                                 |
| Accessories                    | AAADRINA/SK, AADRINA/SMK, AADRINA/600 |

