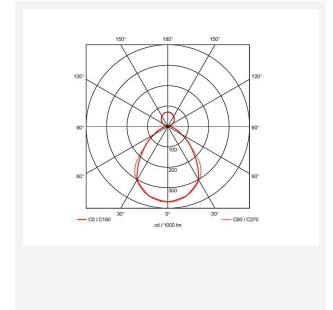
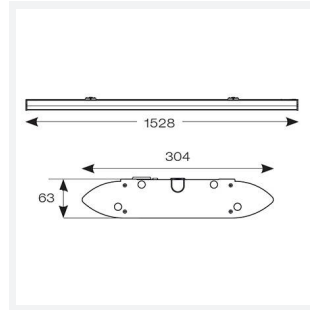
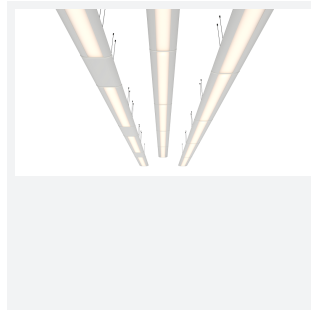




Adrina

Adrina Suspended Linear CCT HO 1500mm DALI
Code: AADRINA2X5/DD3/DM3

| | |
|---------------|-----------------------|
| Category | Commercial Linear |
| Application | Commercial, Education |
| Specification | Architectural |



PRODUCT FEATURES

- High specification linear luminaire suitable for education, commercial and large retail applications
- Supplied bi-directional light output as standard (directional only option can be selected if required)
- Suitable for individual or continuous surface or suspension mounting
- Powered by Tridonic
- UGR<19 (unified glare rating) compliant luminaire assisting to eliminate glare for visual comfort (AADRINA5 only)
- CCT selectable between 3000K and 4000K
- Dimmable and OCTO options available

| GENERAL INFORMATION | |
|----------------------------------|----------------|
| Wattage | 50W |
| Lumens Delivered | 6800lm (4000K) |
| Lm/W | 130lm (4000K) |
| Beam Angle | 90 |
| CRI | 80 |
| CCT | 3000/4000K |
| Input | 220/240V |
| Operating Temp | 0°C - 45°C |
| SDCM | 3 |
| UGR | 20 |
| Product Weight without Packaging | 7.9 kg |

| TECHNICAL INFORMATION | |
|--------------------------------|---------------------------------------|
| Light Source | LED |
| Colour / Finish | White |
| IP Rating | IP20 |
| Class Protection | 1 |
| Internal / External | Internal |
| Surface / Recessed / Suspended | Ceiling, Suspended |
| Lumen Depreciation | L80 100,000h |
| Warranty (Years) | 5 |
| CE Mark | Yes |
| Height | 63 mm |
| Accessories | AAADRINA/SK, AADRINA/SMK, AADRINA/600 |

