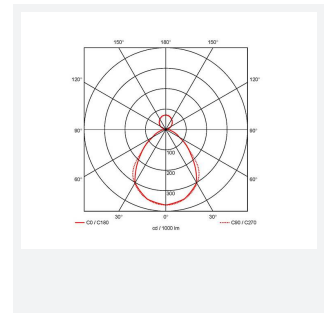
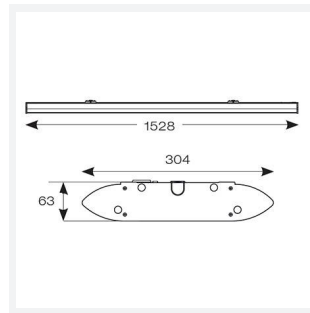
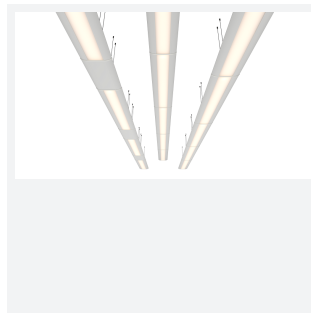




Adrina

Adrina Suspended Linear CCT HO 1500mm DSI
Code: AADRINA2X5/DD2/SM3

Category	Commercial Linear
Application	Commercial, Education
Specification	Architectural



PRODUCT FEATURES

- High specification linear luminaire suitable for education, commercial and large retail applications
- Supplied bi-directional light output as standard (directional only option can be selected if required)
- Suitable for individual or continuous surface or suspension mounting
- Powered by Tridonic
- UGR<19 (unified glare rating) compliant luminaire assisting to eliminate glare for visual comfort (AADRINA5 only)
- CCT selectable between 3000K and 4000K
- Dimmable and OCTO options available

GENERAL INFORMATION	
Wattage	50W
Lumens Delivered	6800lm (4000K)
Lm/W	130lm (4000K)
Beam Angle	90
CRI	80
CCT	3000/4000K
Input	220/240V
Operating Temp	0°C - 45°C
SDCM	3
UGR	20
Product Weight without Packaging	7.9 kg

TECHNICAL INFORMATION	
Light Source	LED
Colour / Finish	White
IP Rating	IP20
Class Protection	1
Internal / External	Internal
Surface / Recessed / Suspended	Ceiling, Suspended
Lumen Depreciation	L80 100,000h
Warranty (Years)	5
CE Mark	Yes
Height	63 mm
Accessories	AAADRINA/SK, AADRINA/SMK, AADRINA/600

