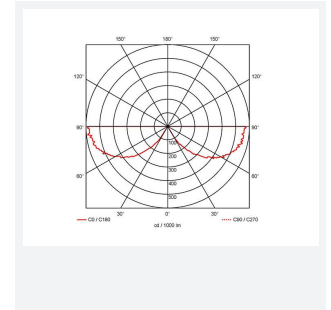
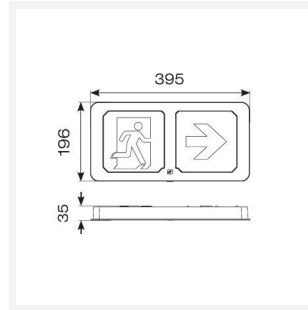
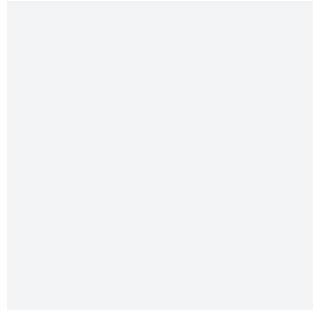
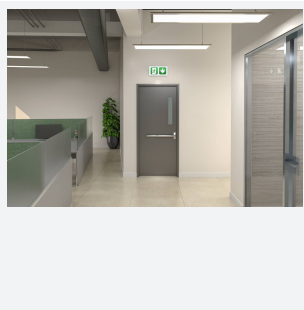




Adler Exit Box

Adler Exit Box Maintained / Non-Maintained
Code: AADLSE/W

| | |
|---------------|---|
| Category | Emergency |
| Application | Ancillary, Commercial, Education, Healthcare, Hospitality, Industrial, Retail |
| Specification | Architectural |



PRODUCT FEATURES

- Rotatable legends to reduce waste and increase flexibility
- LiFePO4 Lithium battery provides improved energy consumption, product reliability and lifetime
- 20mm side cable entries, plus rear BESA mounting
- Rotatable legends to reduce waste and increase flexibility
- Self-test emergency as standard
- Available in black and white finishes

| GENERAL INFORMATION | |
|----------------------------------|------------|
| Wattage | 2W |
| CRI | 80 |
| CCT | 6500K |
| Input | 220/240V |
| Operating Temp | 5°C - 40°C |
| SDCM | 6 |
| Product Weight without Packaging | 0.861 kg |

| TECHNICAL INFORMATION | |
|--------------------------------|-------------|
| Light Source | LED |
| Colour / Finish | White |
| IP Rating | IP20 |
| Class Protection | 2 |
| Internal / External | Internal |
| Surface / Recessed / Suspended | Wall |
| Lumen Depreciation | L70 54,000h |
| Warranty (Years) | 5 |
| CE Mark | Yes |
| Height | 179 mm |

