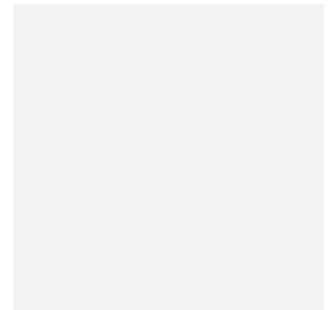
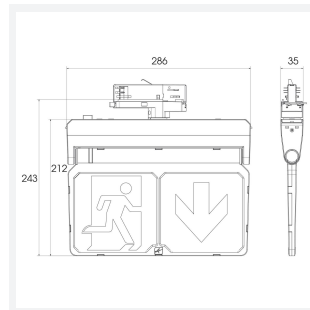
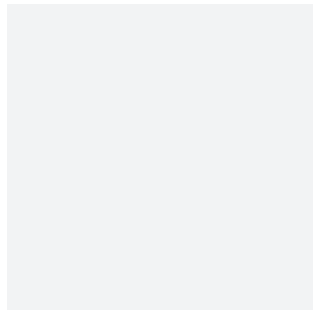




Adler Exit Sign

Category	Emergency
Application	Ancillary, Commercial, Education, Healthcare, Hospitality, Industrial, Retail
Specification	Architectural

Code: AADL/P3/3M/B



- Light weight contemporary Ansell design, multiple install options LED Exit Sign
- One fitting that enables choice of five different mounting options: Suspension, Recessed, Ceiling surface, Wall surface, Side arm wall mounting
- LiFePO4 Lithium battery provides improved energy consumption, product reliability and lifetime
- Self-test emergency as standard
- Rotatable legends to reduce waste and increase flexibility
- 1 metre suspension cable supplied as standard
- Available in black and white finishes
- DALI Emergency option available

GENERAL INFORMATION	
Wattage	2W
CRI	70
CCT	6000-7000K
Input	220-240V
Operating Temp	0°C - 40°C
SDCM	6
Product Weight without Packaging	0.961 kg

TECHNICAL INFORMATION	
Light Source	LED
Colour / Finish	Black
IP Rating	IP20
Class Protection	1
Internal / External	Internal
Surface / Recessed / Suspended	Track
Lumen Depreciation	L70 50000h
Warranty (Years)	5
CE Mark	Yes

