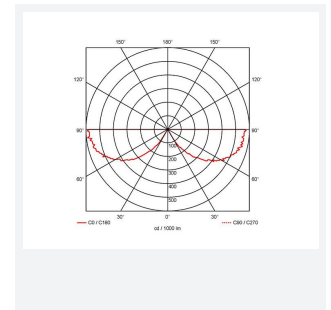
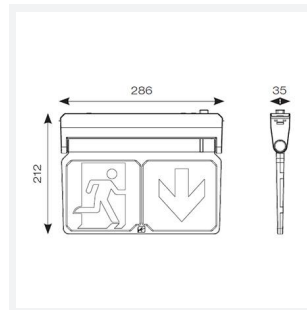
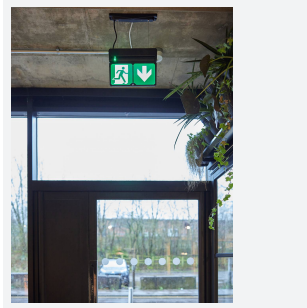
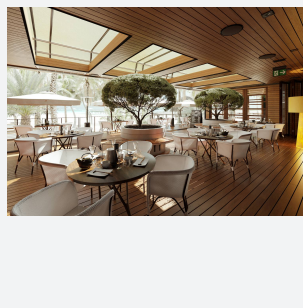




# Adler Exit Sign

Adler Exit Sign Maintained / Non-Maintained  
Code: AADL/3M/W

Category	Emergency
Application	Ancillary, Commercial, Education, Healthcare, Hospitality, Industrial, Retail
Specification	Architectural



## PRODUCT FEATURES

- Rotatable legends to reduce waste and increase flexibility
- One fitting that enables choice of five different mounting options: Suspension, Recessed, Ceiling surface, Wall surface, Side arm wall mounting
- LiFePO4 Lithium battery provides improved energy consumption, product reliability and lifetime
- Self-test emergency as standard
- Rotatable legends to reduce waste and increase flexibility
- 1 metre suspension cable supplied as standard
- Available in black and white finishes

GENERAL INFORMATION	
Wattage	2W
CRI	70
CCT	6500K
Input	220/240V
Operating Temp	0°C - 40°C
SDCM	6
Product Weight without Packaging	0.861 kg

TECHNICAL INFORMATION	
Light Source	LED
Colour / Finish	White
IP Rating	IP20
Class Protection	1
Internal / External	Internal
Surface / Recessed / Suspended	Ceiling, Recessed, Suspended, Wall
Lumen Depreciation	L70 50,000h
Warranty (Years)	5
CE Mark	Yes
Height	212 mm
Accessories	AADL/WB/W, AADL/WB/BLK, AADL/SRK/W, AADL/SRK/BLK

