



@ansell\_lighting



ansellighting



Ansell Lighting

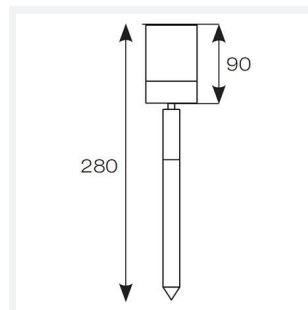


ansell\_lighting

# Acero Spike Light

Acero Spike Light Black  
Code: AACERO/SL/BLK

Category	Feature Lighting
Application	Outdoor, Residential
Specification	Architectural



## PRODUCT FEATURES

- Ideal for GU10 LED
- Pre-wired with 2 metre of rubber insulated cable for ease of installation
- Stainless steel, black and copper finishes available
- Option to add OCTO Connected by WiZ smart GU10 lamp

### GENERAL INFORMATION

Wattage	50W
Input	220/240V
Operating Temp	-10°C - 40°C
Product Weight without Packaging	0.616 kg

### TECHNICAL INFORMATION

Light Source	GU10
Colour / Finish	Black
IP Rating	IP44
Class Protection	1
Internal / External	External
Surface / Recessed / Suspended	Floor
Warranty (Years)	2
CE Mark	Yes
Height	90 mm

