

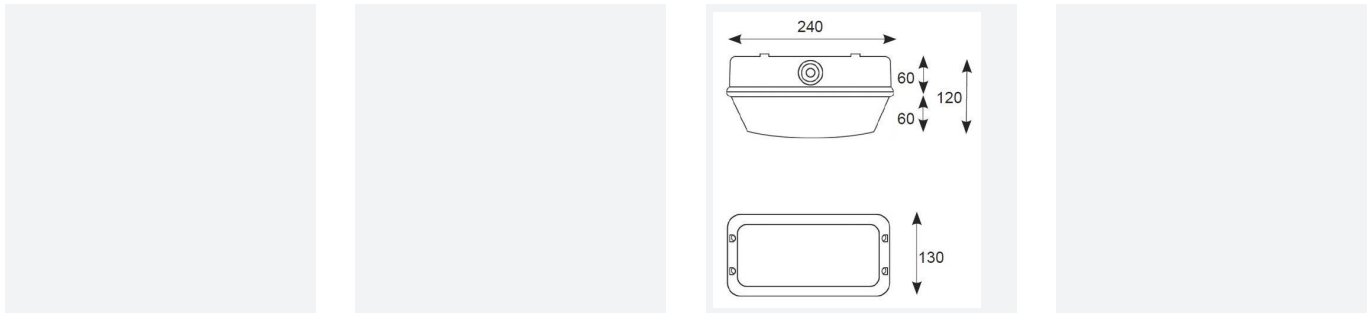


# E27 Polycarbonate Bulkhead

Polycarbonate Bulkhead Black

Code: A100POLY

Category	Bulkheads
Application	Ancillary, Industrial
Specification	Performance



## PRODUCT FEATURES

- Bulkhead suitable for commercial applications (supplied less lamp)
- Vandal resistant all polycarbonate construction

### GENERAL INFORMATION

Wattage	100W
Input	220/240V
Operating Temp	5°C - 25°C
Product Weight without Packaging	0.467 kg

### TECHNICAL INFORMATION

Light Source	E27
Colour / Finish	Black
IP Rating	IP65
Class Protection	2
Internal / External	Internal / External
Surface / Recessed / Suspended	Ceiling, Wall
Warranty (Years)	4
CE Mark	Yes
Height	240 mm

