

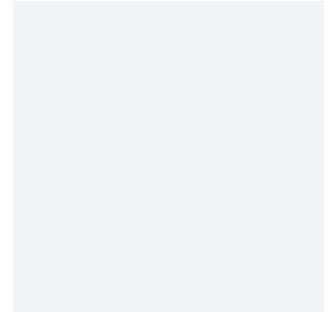
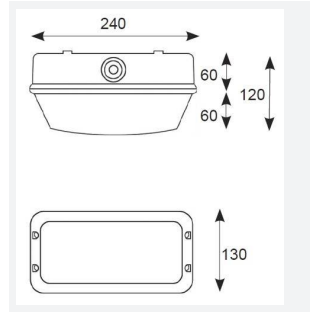
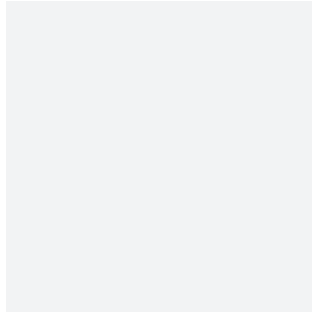
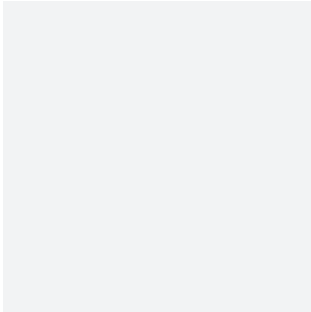


E27 Polycarbonate Bulkhead

Polycarbonate Bulkhead Photocell Black

Code: A100POLY/PC

| | |
|---------------|-----------------------|
| Category | Bulkheads |
| Application | Ancillary, Industrial |
| Specification | Performance |



PRODUCT FEATURES

- Bulkhead suitable for commercial applications (supplied less lamp)
- Vandal resistant all polycarbonate construction

GENERAL INFORMATION

| | |
|----------------------------------|---------|
| Wattage | 100W |
| Product Weight without Packaging | 0.52 kg |

TECHNICAL INFORMATION

| | |
|--------------------------------|---------------------|
| Light Source | E27 |
| Colour / Finish | Black |
| IP Rating | IP65 |
| Class Protection | 2 |
| Internal / External | Internal / External |
| Surface / Recessed / Suspended | Ceiling, Wall |
| Warranty (Years) | 4 |
| CE Mark | Yes |
| Height | 240 mm |

