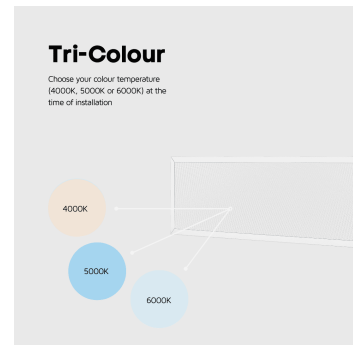
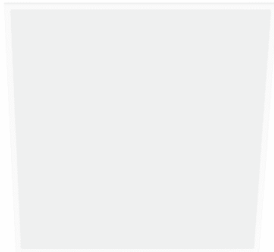


ASHLEY BACKLIT PANEL UGR<19 TRI-COLOUR TP(A) 300X300 10W DIMMABLE

NET-43-03-74



Features & Benefits

- Tridonic one4all Dimming - DALI 1 & 2 or switchDIM (Push)
- Low glare diffuser with UGR rating <19
- TP(a) flammability-rated diffuser
- Selectable 3000K, 4000K or 6000K colour temperature
- Flicker-free driver
- Backlit for a uniform light distribution

Key Data

| | |
|---------------------------|---------------------------------|
| Power | 10W |
| Luminous Flux | 1050lm |
| Colour Temperature | 3000K/4000K/6000K |
| IP Rating | IP20 |
| Dimensions | 295 x 295 x 32mm |
| Warranty | 5 Years (Registration Required) |

Compatible Accessories

| | |
|--------------|--|
| NET-50-12-08 | Manual/Self Test Emergency Selectable LED Converter 2.5W |
| NET-61-33-03 | DALI Emergency Kit 3W |
| NET-46-16-02 | Universal LED Panel Suspension Kit |
| NET-39-16-03 | Burgess Z Clips |
| NET-39-16-05 | Burgess Adjustable Z Clips |

NET LED Lighting

Buckingham Business Park, 300 Anderson Road,
Swavesey, Cambridge, CB24 4UQ

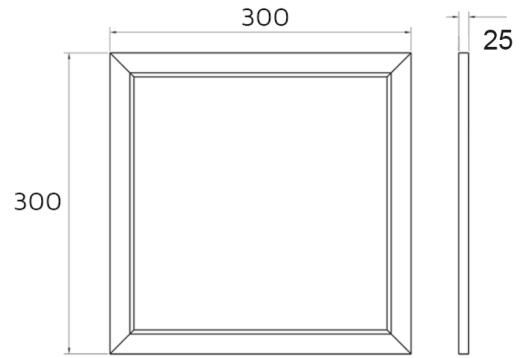
T: 01223 851505 | sales@netled.co.uk | www.netled.co.uk



ORDER BY 6PM
FOR NEXT DAY DELIVERY

Technical Specifications

| | |
|------------------------------|--|
| Input Voltage (AC) | 220-240V |
| Power Factor | >0.9 |
| Luminaire Efficacy | 100lm/w |
| LED Manufacturer | Hongliitronic |
| LED Type | SMD 2835 |
| Driver Manufacturer | Tridonic |
| Driver Output Voltage (DC) | 30-42V |
| Total Circuit Power (w) | 10W |
| Electrical Class | 2 |
| Colour Rendering | >80 CRI |
| Lamp Viewing Angle | 120° |
| Dimmable | Yes |
| Flicker-Free | Yes |
| Operating Temp. | -15°C to +45°C |
| Lifespan LM80 | 50,000 Hours |
| Diffuser Flammability Rating | TP(a) |
| UGR Rating | Less than 19 |
| Diffuser/LGP Material | PS |
| Manufacturer | Sochii Lighting |
| Frame Colour | White |
| Dimming Input Type | Tridonic one4all Dimming - DALI 1 & 2 and switchDIM (Push) |



Other Options

| Description | |
|--------------|---|
| NET-43-03-72 | Ashley Backlit Panel UGR<19 Tri-Colour TP(a) 300x300 10W Standard |
| NET-43-03-73 | Ashley Backlit Panel UGR<19 Tri-Colour TP(a) 300x300 10W Emergency/Self Test |
| NET-43-03-74 | Ashley Backlit Panel UGR<19 Tri-Colour TP(a) 300x300 10W Dimmable one4all |
| NET-43-03-75 | Ashley Backlit Panel UGR<19 Tri-Colour TP(a) 300x300 10W Dimmable Emergency/Self Test |
| NET-43-03-76 | Ashley Backlit Panel UGR<19 Tri-Colour TP(a) 300x300 10W Dimmable DALI Emergency |

NET LED Lighting

Buckingham Business Park, 300 Anderson Road,
Swavesey, Cambridge, CB24 4UQ



ORDER BY 6PM
FOR NEXT DAY DELIVERY

Up to
140
lm/W

BACKLIT DESIGN

Reduce the number of fittings needed with its higher light output and lumen per watt ratio

SELECTABLE COLOUR TEMPERATURE

Choose your colour temperature 4000K, 5000K or 6000K

4K

5K

6K

WIRELESS CONTROL

Control the panel remotely via smartphone or tablet with its Bluetooth Dimmable Driver

Bluetooth options only

TRIDONIC DIMMABLE DRIVER

Customise lighting levels and reduce energy consumption

Dimmable options only

MANUAL OR SELF TEST EMERGENCY SELECTABLE

Choose between manual emergency or self test emergency at the time of installation

Emergency options only

LOW GLARE UGR<19 AND TP(A) FLAMMABILITY RATED DIFFUSER

Reduce headaches and comply with Building Regulations

