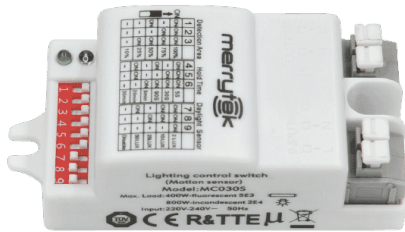


MERRYTEK ON/OFF MICROWAVE SENSOR (INTERNAL)

NET-42-43-02



Key Data

IP Rating	IP20
Dimensions	77 x 36 x 25.5mm
Warranty	3 Years

NET LED Lighting

Buckingham Business Park, 300 Anderson Road,
Swavesey, Cambridge, CB24 4UQ

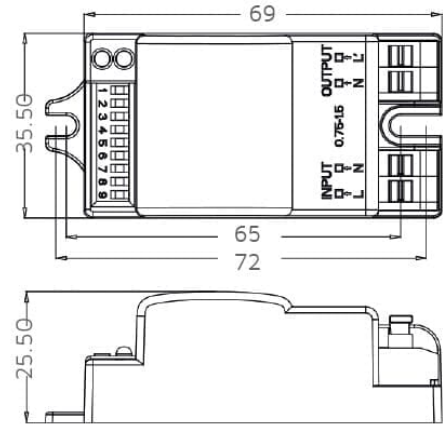
T: 01223 851505 | sales@netled.co.uk | www.netled.co.uk



ORDER BY 6PM
FOR NEXT DAY DELIVERY

Technical Specifications

Input Voltage (AC)	220-240V
Operating Temp.	-15°C to +45°C
Manufacturer	Merrytek
Lux Levels	2lux - 50lux or Disabled
Max. Detection Distance	6m
Max. Load	400W
Power Frequency	50Hz
Housing Colour	White
Housing Material	Polycarbonate
Detection Angle	150°(wall mt) / 360°(ceiling mt)
Duration	5s - 30min



Other Options

Description	
NET-42-43-02	Merrytek On/Off Microwave Sensor (Internal)

NET LED Lighting

Buckingham Business Park, 300 Anderson Road,
Swavesey, Cambridge, CB24 4UQ



ORDER BY 6PM
FOR NEXT DAY DELIVERY