

HILTON NCF TRI-COLOUR 1200MM (4FT) 40W DIMMABLE DALI EMERGENCY

NET-41-12-20



DALI Addressable Emergency Kit

Save time with seamless testing and monitoring for emergency lighting systems



3 Hour Emergency operation

The integral Emergency Battery ensures the fitting stays on in the event of an emergency or power failure



Features & Benefits

- DALI Addressable 3H Emergency function
- one4all Dimming - DALI 1 & 2 and switchDIM (Push)
- Flicker-free, Tridonic dimmable driver as standard
- Selectable colour temperature 3000K, 4000K or 5700K
- Diffuser comes with built-in LEDs
- Tamper-proof fixings

Key Data

Power	40W
Luminous Flux	5200lm
Colour Temperature	3000K/4000K/5700K
IP Rating	IP65
IK Rating	IK08
Dimensions	1240 x 100 x 85mm
Warranty	5 Years (Registration Required)

Compatible Accessories

NET-42-43-38	Merrytek Microwave Sensor IP65 20mm Knock Out
NET-46-16-04	Universal LED NCF / Batten Suspension Kit
NET-42-43-24	DALI Dimmer Switch
NET-51-11-01	PIR Sensor (External) for Battens and NCFs

NET LED Lighting

Buckingham Business Park, 300 Anderson Road,
Swavesey, Cambridge, CB24 4UQ

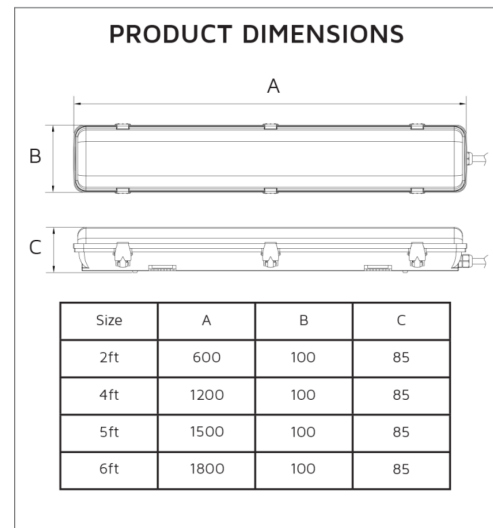
T: 01223 851505 | sales@netled.co.uk | www.netled.co.uk



ORDER BY 6PM
FOR NEXT DAY DELIVERY

Technical Specifications

Input Voltage (AC)	220-240V
Power Factor	>0.90
Luminaire Efficacy	130lm/W
LED Manufacturer	Jingrui
LED Type	SMD 2835
No. of LEDs	240
Driver Manufacturer	Tridonic Premium Series
Driver Output Voltage (DC)	24-42V
Total Circuit Power (W)	40W
Electrical Class	1
Colour Rendering	>80 CRI
Lamp Viewing Angle	120°
Dimmable	Yes
Flicker-Free	Yes
Operating Temp.	0°C to +45°C
Lifespan LM80	50,000 Hours
UGR Rating	More than 22
Weight	1.700Kg
Manufacturer	Senselight
Fire Rating	V2
Hours Maintained	3H
Luminous Flux Factor	7.5%
Self Test	No
Housing Colour	Grey
Housing Material	Polycarbonate
Battery Pack	LiFePO4 3.2V 4.5Ah
Diffuser Material	Polycarbonate
Dimming Input Type	Tridonic one4all Dimming - DALI 1 & 2 and switchDIM (Push)
Emergency Kit	3 Year Warranty
Emergency Operation	>3H
Emergency Pack	DALI Addressable



Other Options

Description	
NET-41-11-03	Hilton NCF Tri-Colour 1200mm (4ft) 24W/40W Standard
NET-41-12-03	Hilton NCF Tri-Colour 1200mm (4ft) 24W/40W Emergency
NET-41-12-04	Hilton NCF Tri-Colour 1200mm (4ft) 24W/40W Self Test Emergency
NET-41-11-20	Hilton NCF Tri-Colour 1200mm (4ft) 40W Dimmable one4all
NET-41-12-09	Hilton NCF Tri-Colour 1200mm (4ft) 40W Dimmable Emergency
NET-41-12-20	Hilton NCF Tri-Colour 1200mm (4ft) 40W Dimmable DALI Emergency
NET-41-11-28	Hilton NCF Tri-Colour 1200mm (4ft) 24W/40W Step Dimming PIR Sensor
NET-41-12-28	Hilton NCF Tri-Colour 1200mm (4ft) 24W/40W Step Dimming PIR Sensor Emergency
NET-41-11-29	Hilton NCF Tri-Colour 1200mm (4ft) 24W/40W Step Dimming Microwave Sensor
NET-41-12-29	Hilton NCF Tri-Colour 1200mm (4ft) 24W/40W Step Dimming Microwave Sensor Emergency

NET LED Lighting

Buckingham Business Park, 300 Anderson Road,
Swavesey, Cambridge, CB24 4UQ



ORDER BY 6PM
FOR NEXT DAY DELIVERY

Up to
140
lm/W

COMBINED DIFFUSER AND LEDS

Stop juggling multiple parts when installing with a diffuser that comes with built-in LEDs

PUSH CONNECTOR

Reduce installation time with easy-to-use push fit terminals

FLICKER-FREE TRIDONIC DRIVER

Ensure reliability, durability and performance leading to long-lasting LEDs

IP65 AND IK08 RATED HOUSING

Protect your fitting from water, dust and impact

TAMPER-PROOF FIXINGS

Prevent unwanted removal or tampering

NEW

MANUAL OR SELF TEST EMERGENCY SELECTABLE

Choose between manual emergency or self test emergency at the time of installation

Emergency options only

