

HILTON NCF TRI-COLOUR 1500MM (5FT) 60W DIMMABLE DALI EMERGENCY

NET-41-11-90



DALI Addressable Emergency Kit

Save time with seamless testing and monitoring for emergency lighting systems



3 Hour Emergency operation

The integral Emergency Battery ensures the fitting stays on in the event of an emergency or power failure



Features & Benefits

- DALI Addressable Emergency Kit
- Flicker-free, 0-10V dimmable driver as standard
- Selectable colour temperature 3000K, 4000K or 5700K
- Diffuser comes with built-in LEDs
- Tamper-proof fixings
- IP65 and IK10 rated housing

Key Data

Power	60W
Luminous Flux	7800lm
Colour Temperature	3000K/4000K/5700K
IP Rating	IP65
IK Rating	IK08
Dimensions	1540 x 100 x 85mm
Warranty	5 Years (Registration Required)

Compatible Accessories

NET-42-43-38	Merrytek Microwave Sensor IP65 20mm Knock Out
NET-46-16-04	Universal LED NCF / Batten Suspension Kit
NET-42-43-24	DALI Dimmer Switch
NET-51-11-01	PIR Sensor (External) for Battens and NCFs

NET LED Lighting

Buckingham Business Park, 300 Anderson Road,
Swavesey, Cambridge, CB24 4UQ

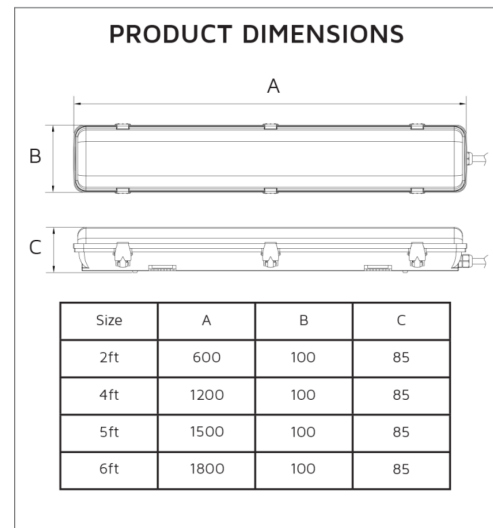
T: 01223 851505 | sales@netled.co.uk | www.netled.co.uk



ORDER BY 6PM
FOR NEXT DAY DELIVERY

Technical Specifications

Input Voltage (AC)	220-240V
Power Factor	>0.90
Luminaire Efficacy	130lm/W
LED Manufacturer	Jingrui
LED Type	SMD 2835
No. of LEDs	360
Driver Manufacturer	Tridonic Premium Series
Driver Output Voltage (DC)	24-42V
Total Circuit Power (W)	60W
Electrical Class	1
Colour Rendering	>80 CRI
Lamp Viewing Angle	120°
Dimmable	Yes
Flicker-Free	Yes
Operating Temp.	0°C to +45°C
Lifespan LM80	50,000 Hours
UGR Rating	More than 22
Manufacturer	Senselight
Fire Rating	V2
Hours Maintained	3H
Self Test	No
Housing Colour	Grey
Housing Material	Polycarbonate
Battery Pack	LiFePO4 3.2V 4.5Ah
Diffuser Material	Polycarbonate
Dimming Input Type	Tridonic one4all Dimming - DALI 1 & 2 and switchDIM (Push)
Emergency Kit	3 Year Warranty
Emergency Operation	>3H
Emergency Pack	DALI Addressable



Other Options

Description	
NET-41-11-05	Hilton NCF Tri-Colour 1500mm (5ft) 48W/60W Standard
NET-41-12-05	Hilton NCF Tri-Colour 1500mm (5ft) 48W/60W Emergency
NET-41-12-06	Hilton NCF Tri-Colour 1500mm (5ft) 48W/60W Self Test Emergency
NET-41-11-12	Hilton NCF Tri-Colour 1500mm (5ft) 60W Dimmable one4all
NET-41-12-12	Hilton NCF Tri-Colour 1500mm (5ft) 60W Dimmable Emergency
NET-41-11-90	Hilton NCF Tri-Colour 1500mm (5ft) 60W Dimmable DALI Emergency
NET-41-11-60	Hilton NCF Tri-Colour 1500mm (5ft) 48W/60W Step Dimming PIR Sensor
NET-41-12-60	Hilton NCF Tri-Colour 1500mm (5ft) 48W/60W Step Dimming PIR Sensor Emergency

NET LED Lighting

Buckingham Business Park, 300 Anderson Road,
Swavesey, Cambridge, CB24 4UQ



ORDER BY 6PM
FOR NEXT DAY DELIVERY

T: 01223 851505 | sales@netled.co.uk | www.netled.co.uk

Up to
140
lm/W

COMBINED DIFFUSER AND LEDS

Stop juggling multiple parts when installing with a diffuser that comes with built-in LEDs

PUSH CONNECTOR

Reduce installation time with easy-to-use push fit terminals

FLICKER-FREE TRIDONIC DRIVER

Ensure reliability, durability and performance leading to long-lasting LEDs

IP65 AND IK08 RATED HOUSING

Protect your fitting from water, dust and impact

TAMPER-PROOF FIXINGS

Prevent unwanted removal or tampering

NEW

MANUAL OR SELF TEST EMERGENCY SELECTABLE

Choose between manual emergency or self test emergency at the time of installation

Emergency options only

