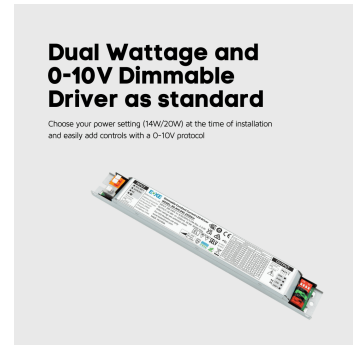


HILTON NCF TRI-COLOUR 600MM (2FT) 14W/20W STANDARD

NET-41-11-01



Features & Benefits

- Flicker-free, 0-10V dimmable driver as standard
- Selectable power setting 14W or 20W
- Selectable colour temperature 3000K, 4000K or 5700K
- Diffuser comes with built-in LEDs
- Tamper-proof fixings
- IP65 and IK10 rated housing

Key Data

Power	14W/20W
Luminous Flux	1820lm/2600lm
Colour Temperature	3000K/4000K/5700K
IP Rating	IP65
IK Rating	IK08
Dimensions	640 x 100 x 85mm
Warranty	5 Years (Registration Required)

Compatible Accessories

NET-61-33-04	DALI Emergency Kit 3W/6W
NET-42-43-33	Merrytek Microwave Sensor IP65 with Standby Function (External)
NET-42-43-38	Merrytek Microwave Sensor IP65 20mm Knock Out
NET-46-16-04	Universal LED NCF / Batten Suspension Kit
NET-51-11-01	PIR Sensor (External) for Battens and NCFs
NET-51-11-03	On/Off Step Dimming Sensor (External) for Battens and NCFs

NET LED Lighting

Buckingham Business Park, 300 Anderson Road,
Swavesey, Cambridge, CB24 4UQ

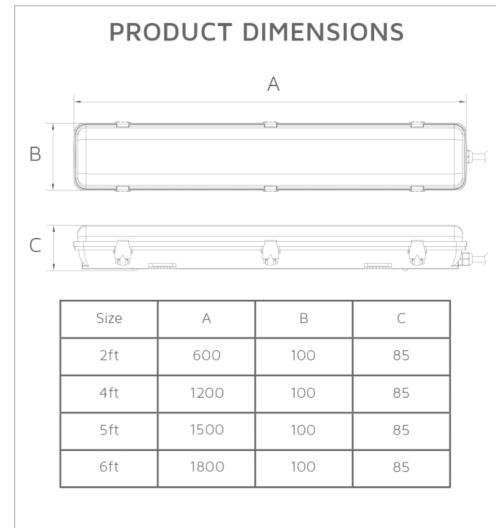
T: 01223 851505 | sales@netled.co.uk | www.netled.co.uk



ORDER BY 6PM
FOR NEXT DAY DELIVERY

Technical Specifications

Input Voltage (AC)	220-240V
Power Factor	>0.90
Luminaire Efficacy	130lm/W
LED Manufacturer	Jingrui
LED Type	SMD 2835
No. of LEDs	120
Driver Manufacturer	BOKE
Driver Output Voltage (DC)	24-42V
Total Circuit Power (W)	14W/20W
Electrical Class	1
Colour Rendering	>80 CRI
Lamp Viewing Angle	120°
Flicker-Free	Yes
Operating Temp.	-10°C to +40°C
Lifespan LM80	50,000 Hours
UGR Rating	More than 22
Weight	1.030Kg
Manufacturer	Senselight
Fire Rating	V2
Housing Colour	Grey
Housing Material	Polycarbonate
Diffuser Material	Polycarbonate



Other Options

Description	
NET-41-11-01	Hilton NCF Tri-Colour 600mm (2ft) 14W/20W Standard
NET-41-12-01	Hilton NCF Tri-Colour 600mm (2ft) 14W/20W Emergency
NET-41-11-02	Hilton NCF Tri-Colour 600mm (2ft) 14W/20W Step Dimming PIR Sensor
NET-41-11-04	Hilton NCF Tri-Colour 600mm (2ft) 14W/20W Step Dimming PIR Sensor Emergency
NET-41-11-19	Hilton NCF Tri-Colour 600mm (2ft) 14W/20W Step Dimming Microwave Sensor
NET-41-11-22	Hilton NCF Tri-Colour 600mm (2ft) 14W/20W Step Dimming Microwave Sensor Emergency

NET LED Lighting

Buckingham Business Park, 300 Anderson Road,
Swavesey, Cambridge, CB24 4UQ



ORDER BY 6PM
FOR NEXT DAY DELIVERY

Up to
140
lm/W

COMBINED DIFFUSER AND LEDS

Stop juggling multiple parts when installing with a diffuser that comes with built-in LEDs

PUSH CONNECTOR

Reduce installation time with easy-to-use push fit terminals

FLICKER-FREE TRIDONIC DRIVER

Ensure reliability, durability and performance leading to long-lasting LEDs

IP65 AND IK08 RATED HOUSING

Protect your fitting from water, dust and impact

TAMPER-PROOF FIXINGS

Prevent unwanted removal or tampering

NEW

MANUAL OR SELF TEST EMERGENCY SELECTABLE

Choose between manual emergency or self test emergency at the time of installation

Emergency options only

