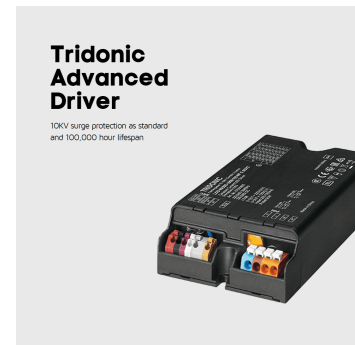
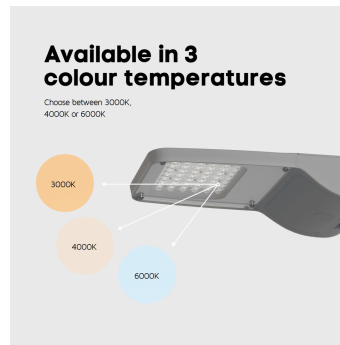


HISTON STREET LIGHT 4000K 30W

NET-33-20-04



Features & Benefits

- Built-in, energy saving Virtual Midnight function - dim at the mid-point of sunset to sunrise to save additional energy
- Tridonic driver with 10KV surge protection and 100,000 hour lifespan
- Specialist lens for improved uniformity and larger light distribution
- Slip fitter included for use on 60 or 70mm pole
- Choose between two different mounting options (horizontal or vertical) with the adjustable spigot
- Optional 3 Pin NEMA Photocell Sensor

Key Data

Power	30W
Luminous Flux	4000lm
Colour Temperature	4000K
IP Rating	IP65
IK Rating	IK08
Dimensions	508 x 180 x 109mm
Warranty	5 Years (Registration Required)

Compatible Accessories

NET-23-20-08	3 Pin NEMA Photocell Sensor for Histon Street Lights
NET-23-16-51	Double Outreach Arm Bracket
NET-23-16-53	Flat Wall Bracket

NET LED Lighting

Buckingham Business Park, 300 Anderson Road,
 Swavesey, Cambridge, CB24 4UQ

T: 01223 851505 | sales@netled.co.uk | www.netled.co.uk



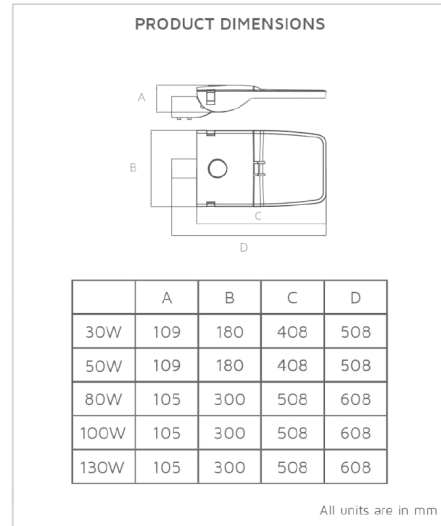
ORDER BY 6PM
 FOR NEXT DAY DELIVERY

Technical Specifications

Input Voltage (AC)	100-270V
Power Factor	>0.9
Luminaire Efficacy	150lm/W
LED Manufacturer	Luxeon
LED Type	EMC 3030
No. of LEDs	48
Driver Manufacturer	Tridonic
Driver Output Voltage (DC)	80V (LV) - 130V (HV)
Total Circuit Power (W)	80W +/- 5W
Electrical Class	1
Colour Rendering	>70 CRI
Lamp Viewing Angle	140° x 70°
Dimmable	No
Operating Temp.	-15°C to +40°C
Lifespan LM80	50,000 Hours
Weight	8.2Kg
Manufacturer	NET LED Lighting
Photocell Compatible	Yes (NET-23-20-08)
Housing Colour	Grey
Housing Material	Aluminium
Diffuser Material	Glass
Inrush Current (Peak)	32A
Inrush Current (Duration)	365ms
Effective Projected Area (Top Area)	0.937ft ²
Effective Projected Area (Side Area)	0.246ft ²
Effective Projected Area (Front Area)	0.062ft ²

Other Options

Description	
NET-33-20-04	Histon Street Light 4000K 30W



NET LED Lighting

Buckingham Business Park, 300 Anderson Road,
Swavesey, Cambridge, CB24 4UQ



ORDER BY 6PM
FOR NEXT DAY DELIVERY

Up to
150
lm/W

OPTIONAL 3 PIN NEMA PHOTOCELL SENSOR

Reduce energy costs and ensure your street light comes on only when required

BUILT-IN VIRTUAL MIDNIGHT FUNCTION

Dim at the mid-point of sunset to sunrise to save additional energy

TRIDONIC ADVANCED DRIVER WITH 10KV SURGE PROTECTION

100,000 hour driver lifespan

ADJUSTABLE SPIGOT

Adjust the head in 5° increments from -15° to +15°

SPECIALIST LENS

Create a Batwing Beam Angle for improved uniformity and larger light distribution



AVAILABLE IN THREE DIFFERENT COLOUR TEMPERATURES

Choose between 3000K,
4000K or 6000K

