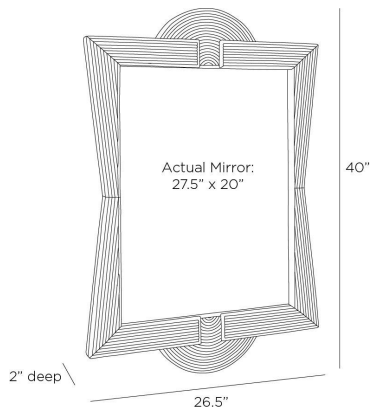


ARTERIOS

CYPRESS MIRROR



WMS03
Natural, Rattan

Wrapped in natural rattan, this geometric style brings an organic texture to any room. Inspired by the modern forms found in mid-century architecture, the decorative frame surrounds a simple rectangular mirror. Designed to be hung vertically or horizontally, it is secured with a hanging cleat at the back. Rattan will vary.

APPEARANCE

Materials	Rattan, Mirror
Finishes	Natural, Plain
Finish Will Vary	Yes
Top Coat/Sealant	No

DIMENSIONS

Overall	W: 26.5 in x D: 2 in x H: 40 in
Actual Mirror	W: 20 in x H: 27.5 in

SHIPPING

Product Weight	25.2 lbs
Gross Weight 1	36.0 lbs
Shipping Box 1	W: 5.25 in x D: 44 in x H: 31 in

CONTRACT

Contract Suitability	Contract Suitable As Is
----------------------	-------------------------