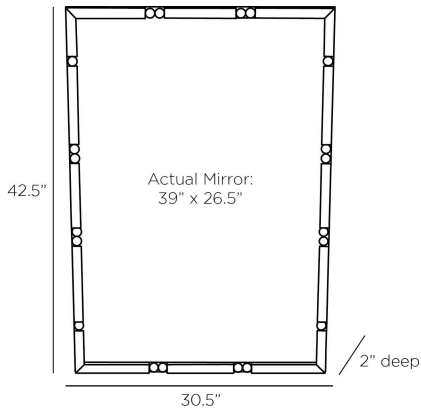


# ARTERIO RS

## BRINKLEY MIRROR



WMI26  
Ebony, Mango Wood

A rectangular frame of ebony finished mango wood is punctuated with marble balls in contrasting hues. These black and white details float about the perimeter, adding a geometric playfulness to the simple form. This versatile accent can be hung both vertically and horizontally. Fitted with security cleat hardware. Finish will vary.

### APPEARANCE

Materials	Mango Wood, Marble, Marble, Mirror
Finishes	Ebony, White, Black, Plain
Finish Will Vary	Yes
Top Coat/Sealant	Yes

### DIMENSIONS

Overall	W: 30.5 in x D: 2 in x H: 42.5 in
Actual Mirror	W: 26.5 in x H: 39 in

### SHIPPING

Shipping Requirements	Truck Ship
Product Weight	43.3 lbs
Gross Weight 1	53.0 lbs
Shipping Box 1	W: 8.0 in x D: 47.0 in x H: 40.0 in

### ADDITIONAL INFO

Features	T-Screw Hardware Included
Hanger Position	Vertical & Horizontal

### CONTRACT

Contract Suitability	Contract Suitable As Is
----------------------	-------------------------