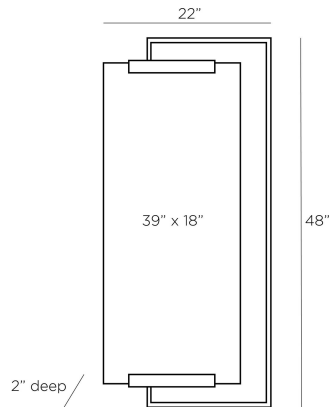


ARTERIOS

PRINCETON MIRROR



WMI03
Antique Brass, Iron

Sleek and modern, the Princeton is created with an offset, forged iron frame and a mirror braced by etched clamps. The geometric mirror is striking alone or as a pair flanking a bathroom vanity. The vertical mirror is fitted with a security cleat for hanging. Finishes will vary.

APPEARANCE

Materials	Iron, Mirror
Finishes	Antique Brass, Plain
Finish Will Vary	No
Top Coat/Sealant	No

DIMENSIONS

Overall	W: 22 in x D: 2 in x H: 48 in
Actual Mirror	W: 18 in x H: 39 in

SHIPPING

Shipping Requirements	Truck Ship
Product Weight	33.0 lbs
Gross Weight 1	44.1 lbs
Shipping Box 1	W: 33.0 in x D: 8.0 in x H: 55.0 in

ADDITIONAL INFO

Features	T-Screw Hardware Included
Hanger Position	All Four Directions

CONTRACT

Contract Suitability	Contract Suitable As Is
----------------------	-------------------------