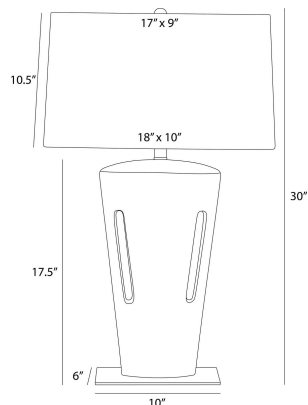


ARTERIO RS

ICELAND LAMP



PTS20-517
Shoreline Reactive, Porcelain

The angular form of our porcelain style offers an intriguing mix of positive and negative space, with a cross-hatched texture that emphasizes its craft. Cutout slots provide added interest, while the shoreline reactive glaze offers a gradient finish that shifts from deepest black to pure ivory. Finished with bronze steel base, an off-white microfiber rectangular drum shade lined in off-white cotton and an antique brass sphere finial. Finish will vary.

APPEARANCE

Materials	Porcelain, Steel, Steel, Microfiber, Cotton, Steel
Finishes	Shoreline Reactive, Bronze, Antique Brass, Off-White, Off-White, Antique Brass
Harp Finish	Brass
Finish Will Vary	Yes
Top Coat/Sealant	No

DIMENSIONS

Overall	W: 18 in x D: 10 in x H: 30 in
Foot Print	W: 10 in x D: 6 in
Base	W: 10 in x D: 6 in x H: 0.25 in
Body	W: 10 in x D: 4.5 in x H: 17.5 in
Finial	Dia: 1 in x H: 1 in
Shade Top	W: 17 in x D: 9 in
Shade Side	H: 10.5 in
Shade Bottom	W: 18 in x D: 10 in
Harp Size	H: 9 in
Neck	Dia: 1.25 in x H: 2 in

WIRING

Wire Rating	Indoor Only
Cord	10 FT, Clear/Silver, SPT-2
Socket	1, Type A - E26
Suggested Bulb Type	A19
Switch	At Socket, 3-Way Rotary
Maximum Wattage	150.0

CERTIFICATIONS & COMPLIANCY

Certifications	Middle East, European Union, United Kingdom, Mexico, United States, Canada
Compliance	UL/ETL, CB

SHIPPING

Product Weight	4.4 lbs
Gross Weight 1	8.0 lbs
Gross Weight 2	5 lbs
Shipping Box 1	W: 8.5 in x D: 14.0 in x H: 24.5 in
Shipping Box 2	W: 12 in x D: 20 in x H: 12.5 in

CONTRACT

Contract Suitability	Contract Suitable As Is
Tilt Test Degrees	10 Degrees

REPLACEMENT PARTS

81002

Voltage

110-120 V