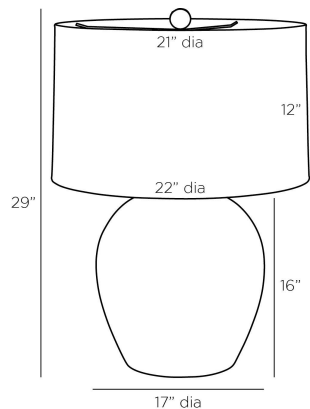


ARTERIOS

YUKON LAMP



PTS09-SH026
German Smear Graphite, Terracotta

Distressed to recall an ancient artifact, this overscale urn has a timeless appeal. Sculpted in terracotta and finished in German smear graphite, its distressed finish makes each singular style unique. Dark antique brass hardware and a matching terracotta finial complement the artisanal form. Finished with an off-white linen shade, clear silver cord and on/off rotary switch. Finish will vary.

APPEARANCE

Materials	Terracotta, Steel, Linen, Cotton
Finishes	German Smear Graphite, Dark Antique Brass, White, White
Harp Finish	Antique Brass
Finish Will Vary	Yes
Top Coat/Sealant	No

DIMENSIONS

Overall	Dia: 22.0 in x H: 29 in
Foot Print	Dia: 9.5 in
Body	Dia: 17.0 in x H: 16 in
Finial	Dia: 1.5 in x H: 1.5 in
Shade Top	Dia: 21.0 in
Shade Side	H: 12 in
Shade Bottom	Dia: 22.0 in
Harp Size	H: 10 in
Neck	Dia: 0.5 in x H: 2 in

WIRING

Wire Rating	Indoor Only
Socket	1, Type A - E26
Suggested Bulb Type	A19
Switch	At Socket, On/Off Rotary
Maximum Wattage	150.0
Voltage	110-120 V

CERTIFICATIONS & COMPLIANCY

Certifications	Middle East, European Union, United Kingdom, Australia, Mexico, United States, Canada
Compliance	RoHS, UL/ETL, CB

SHIPPING

Product Weight	30.3 lbs
Gross Weight 1	37.0 lbs
Gross Weight 2	5.0 lbs
Shipping Box 1	W: 19.0 in x D: 19.0 in x H: 26.0 in
Shipping Box 2	W: 23.5 in x D: 23.5 in x H: 31.0 in

CONTRACT

Contract Suitability	Contract Suitable As Is
Tilt Test Degrees	10 Degrees

REPLACEMENT PARTS

PTS09FIN