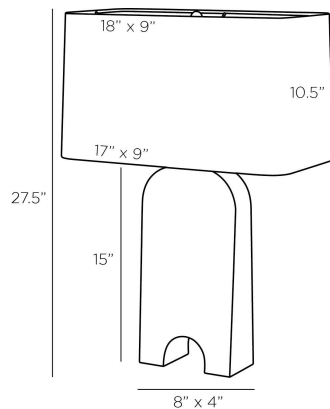


# ARTERIOS

## BIRMINGHAM LAMP



PTI07-517  
Capri, Marble

Solid Capri marble is sculpted with a pleasing arched silhouette and almost anthropomorphic leggy base. Reminiscent of mid-century arts and crafts, this quirky lamp is accented with antiqued brass finish hardware and a drum shade of off-white microfiber lined in cotton. Finished with a clear silver cord and three-way rotary switch. Finish will vary.

### APPEARANCE

Materials	Marble, Steel, Microfiber, Cotton
Finishes	Capri, Antique Brass, Off-White, Off-White
Harp Finish	Antique Brass
Finish Will Vary	Yes
Top Coat/Sealant	Yes

### DIMENSIONS

Overall	W: 18 in x D: 10 in x H: 27.5 in
Foot Print	W: 8 in x D: 4 in
Body	W: 8 in x D: 4 in x H: 15 in
Finial	Dia: 1 in x H: 1 in
Shade Top	W: 17 in x D: 9 in
Shade Side	H: 10.5 in
Shade Bottom	W: 18 in x D: 10 in
Harp Size	H: 8.5 in
Neck	Dia: 1.0 in x H: 2 in

### WIRING

Wire Rating	Indoor Only
Socket	1, Type A - E26
Suggested Bulb Type	A19
Switch	At Socket, 3-Way Rotary
Maximum Wattage	150.0
Voltage	110-120 V

### CERTIFICATIONS & COMPLIANCY

Certifications	Middle East, European Union, United Kingdom, Australia, Mexico, United States, Canada
Compliance	RoHS, UL/ETL, CB

### SHIPPING

Product Weight	34.6 lbs
Gross Weight 1	41.0 lbs
Gross Weight 2	5.0 lbs
Shipping Box 1	W: 9.0 in x D: 13.0 in x H: 27.0 in
Shipping Box 2	W: 12 in x D: 20 in x H: 12.5 in

### CONTRACT

Contract Suitability	Contract Suitable As Is
Tilt Test Degrees	10 Degrees

### REPLACEMENT PARTS

PTI07FIN