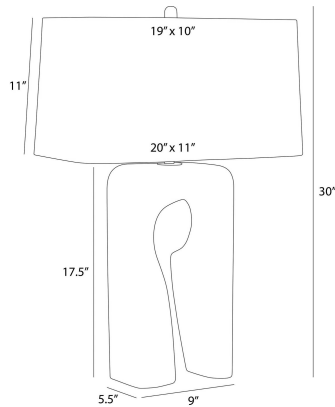


ARTERIOS

KAMORA LAMP



PTC63-SH044
Sand, Faux Travertine

A sculptural form of sand faux travertine makes an artful base. This style's organic keyhole cutout plays with positive and negative space to lend an edge to any tabletop. Finished with bronze steel hardware, a rectangular ivory microfiber drum shade lined in off-white cotton and a matching faux travertine finial. Finish will vary.

APPEARANCE

Materials	Faux Travertine, Steel, Microfiber, Cotton, Steel
Finishes	Sand, Bronze, Ivory, Off-White, Bronze
Harp Finish	Bronze
Finish Will Vary	Yes
Top Coat/Sealant	No

DIMENSIONS

Overall	W: 20 in x D: 11 in x H: 30 in
Foot Print	W: 9 in x D: 5.5 in
Body	W: 9.5 in x D: 6 in x H: 17.5 in
Finial	Dia: 1.5 in x H: 1.5 in
Shade Top	W: 19 in x D: 10 in
Shade Side	H: 11 in
Shade Bottom	W: 20 in x D: 11 in
Harp Size	H: 9 in
Neck	Dia: 0.75 in x H: 2 in

WIRING

Wire Rating	Indoor Only
Cord	8 FT, Taupe Fabric, SPT-2
Socket	1, Type A - E26
Suggested Bulb Type	A19
Switch	At Socket, 3-Way Rotary
Maximum Wattage	150.0
Voltage	110-120 V

CERTIFICATIONS & COMPLIANCY

Certifications	Middle East, European Union, United Kingdom, Mexico, United States, Canada
Compliance	RoHS, UL/ETL, CB

SHIPPING

Product Weight	42.0 lbs
Gross Weight 1	37.48 lbs
Gross Weight 2	11.6 lbs
Shipping Box 1	W: 10.5 in x D: 14.0 in x H: 27.0 in
Shipping Box 2	W: 19.3 in x D: 19.3 in x H: 34.7 in

CONTRACT

Contract Suitability	Contract Suitable As Is
Tilt Test Degrees	8 Degrees

REPLACEMENT PARTS

PTC63FIN