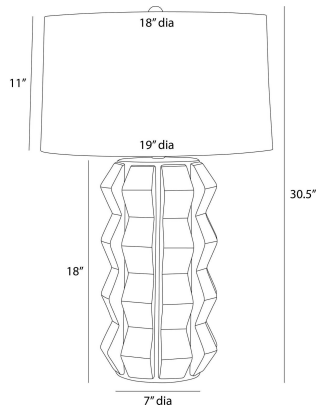


# ARTERIOS

## JOURNEY LAMP



PTC57-827  
Ocean Reactive, Ceramic

Shaped and glazed to create playful movement, our ceramic Journey is a modern update of a hand-thrown lamp from the Mid-Century. The zig-zag form is glazed in ocean reactive for subtle gradation and accented with antique brass hardware. Topped with a white linen drum shade and matching ceramic finial. Finish will vary.

### APPEARANCE

Materials	Ceramic, Steel, Linen, Steel
Finishes	Ocean Reactive, Antique Brass, White, Antique Brass
Harp Finish	Brass
Finish Will Vary	Yes
Top Coat/Sealant	No

### DIMENSIONS

Overall	Dia: 19.0 in x H: 30.5 in
Foot Print	Dia: 7.0 in
Body	Dia: 9.5 in x H: 18 in
Finial	Dia: 1 in x H: 1 in
Shade Top	Dia: 18.0 in
Shade Side	H: 11 in
Shade Bottom	Dia: 19.0 in
Harp Size	H: 9 in
Neck	Dia: 1.25 in x H: 2 in

### WIRING

Wire Rating	Indoor Only
Cord	10 FT, Clear/Silver, SPT-2
Socket	1, Type A - E26
Suggested Bulb Type	A19
Switch	At Socket, 3-Way Rotary
Maximum Wattage	150.0
Voltage	110-120 V

### CERTIFICATIONS & COMPLIANCY

Certifications	Middle East, European Union, United Kingdom, Mexico, United States, Canada
Compliance	RoHS, UL/ETL, CB

### SHIPPING

Product Weight	23.6 lbs
Gross Weight 1	25.35 lbs
Gross Weight 2	5 lbs
Shipping Box 1	W: 13.5 in x D: 13.5 in x H: 25.0 in
Shipping Box 2	W: 23 in x D: 23 in x H: 15 in

### CONTRACT

Contract Suitability	Contract Suitable As Is
Tilt Test Degrees	10 Degrees

### REPLACEMENT PARTS

PTC57FIN