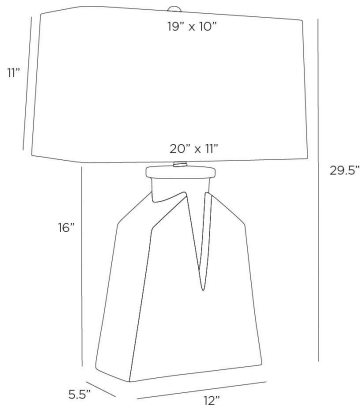


ARTERIOS

CERA LAMP



PTC28-SH040
Ivory Crackle, Ceramic

The tailored lines of a split-necked shirt are reflected in the ceramic base of our tapered table lamp. Glazed with an ivory crackle finish, it is topped with an ivory rectangular microfiber shade and matching ceramic finial. Antique brass hardware and clear silver cord. Finish will vary.

APPEARANCE

Materials	Ceramic, Steel, Microfiber, Microfiber
Finishes	Ivory Crackle, Antique Brass, Ivory, White
Finish Will Vary	Yes
Top Coat/Sealant	No

DIMENSIONS

Overall	W: 20 in x D: 11 in x H: 29.5 in
Foot Print	W: 12 in x D: 5.5 in
Body	W: 12 in x D: 5.5 in x H: 16 in
Finial	Dia: 1 in x H: 1 in
Shade Top	W: 19 in x D: 10 in
Shade Side	H: 11 in
Shade Bottom	W: 20 in x D: 11 in
Harp Size	H: 9 in
Neck	Dia: 1.0 in x H: 2 in

WIRING

Wire Rating	Indoor Only
Cord	10 FT, Clear/Silver, SPT-2
Socket	1, Type A - E26
Suggested Bulb Type	A19
Switch	At Socket, 3-Way Rotary
Maximum Wattage	150.0
Voltage	110-120 V

CERTIFICATIONS & COMPLIANCY

Certifications	Middle East, European Union, United Kingdom, Mexico, United States, Canada
Compliance	RoHS, UL/ETL, CB

SHIPPING

Product Weight	10.0 lbs
Gross Weight 1	15.0 lbs
Gross Weight 2	5.0 lbs
Shipping Box 1	W: 7.9 in x D: 14.6 in x H: 22.0 in
Shipping Box 2	W: 12.6 in x D: 21.26 in x H: 28.74 in

CONTRACT

Contract Suitability	Contract Suitable As Is
Tilt Test Degrees	10 Degrees