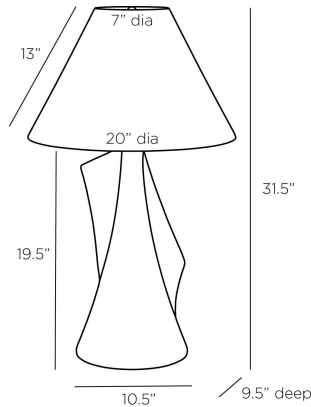


ARTERIOS

BRUCE LAMP



PTC22-SH032
Ivory, Glass Stone

An organic base of ivory glass stone composite is a piece of Modernist sculpture for your desktop. The Bruce's free-flowing form is finished on either side with irregular "fins" to intrigue the eye. Accented with a support and finial sphere finished in antique brass, it is topped with a shade of ivory cotton and finished with a taupe cord. Three-way rotary switch. Finish will vary.

APPEARANCE

Materials	Glass Stone, Steel, Microfiber, Cotton
Finishes	Ivory, Antique Brass, Off-White, Off-White
Harp Finish	Antique Brass
Finish Will Vary	Yes
Top Coat/Sealant	Yes

DIMENSIONS

Overall	Dia: 20.0 in x H: 31.5 in
Foot Print	Dia: 9.5 in
Body	W: 10.5 in x D: 9.5 in x H: 19.5 in
Finial	Dia: 1 in x H: 1 in
Shade Top	Dia: 7.0 in
Shade Side	H: 13 in
Shade Bottom	Dia: 20.0 in
Harp Size	H: 9 in
Neck	Dia: 1.0 in x H: 2 in

WIRING

Wire Rating	Indoor Only
Socket	1, Type A - E26
Suggested Bulb Type	A19
Switch	At Socket, 3-Way Rotary
Maximum Wattage	150.0
Voltage	110-120 V

CERTIFICATIONS & COMPLIANCY

Certifications	Middle East, European Union, United Kingdom, Mexico, United States, Canada
Compliance	RoHS, UL/ETL, CB

SHIPPING

Product Weight	21.7 lbs
Gross Weight 1	28.0 lbs
Gross Weight 2	5.0 lbs
Shipping Box 1	W: 14.5 in x D: 14.5 in x H: 28.5 in
Shipping Box 2	W: 20.5 in x D: 20.5 in x H: 34.0 in

CONTRACT

Contract Suitability	Contract Suitable As Is
Tilt Test Degrees	10 Degrees