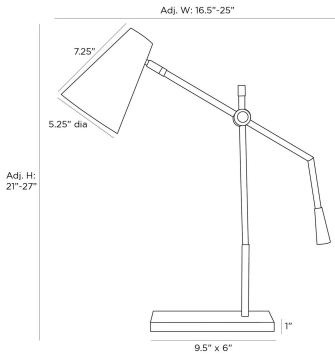


ARTERIOS

WAYNE LAMP



PDC02
Antique Brass, Steel

Our Wayne suspension task lamp is designed with a conical shade in matte cream enamel and an articulating brass steel arm. The mod illuminator is accented with matching cream enamel, which caps the end of the arm and encircles the lamp's tubular frame at the top and at the base. The shade pivots, casting directional light where you need it.

APPEARANCE

Materials	Steel, Steel, Steel
Finishes	Antique Brass, Cream, White
Finish Will Vary	No
Top Coat/Sealant	Yes

DIMENSIONS

Overall	D: 6 in
Overall Adjustable	W: 16.5-25 in x H: 21-27 in
Foot Print	W: 9.5 in x D: 6 in
Base	W: 9.5 in x D: 6 in x H: 1 in
Shade	Dia: 5.25 in x H: 7.25 in

WIRING

Wire Rating	Indoor Only
Cord	8 FT, Taupe Fabric, SPT-2
Socket	1, Type A - E26
Suggested Bulb Type	A19
Switch	On Line, Full Range Dimmer
Maximum Wattage	40.0
Voltage	110-120 V

CERTIFICATIONS & COMPLIANCY

Certifications	Mexico, United States, Canada
Compliance	RoHS, UL/ETL

SHIPPING

Product Weight	10.0 lbs
Gross Weight 1	13.0 lbs
Shipping Box 1	W: 32.08 in x D: 8.46 in x H: 12.4 in

CONTRACT

Contract Suitability	Contract Suitable As Is
Tilt Test Degrees	10 Degrees