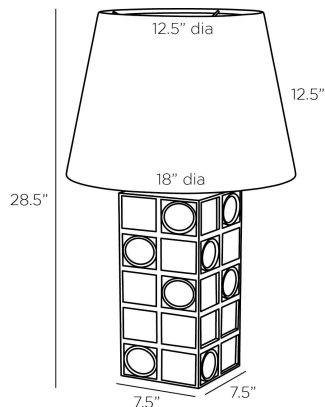


## EMPIRE LAMP

Laura Kirar



GKPTC02-SH019  
Ivory, Riverstone

As part of the Empire series of objects: this ivory table lamp created of riverstone composite and antique brass uses the ideas of origami and geometry as a kind of mystical decorative language conjuring up both treasures of the past and the future. These are the jewelry of the collection, a precise and polished counterbalance to the more hand-hewn objects. Finish will vary.

### APPEARANCE

Materials	Riverstone, Iron, Microfiber, Cotton
Finishes	Ivory, Antique Brass, White, White
Finish Will Vary	Yes
Top Coat/Sealant	Yes

### DIMENSIONS

Overall	Dia: 18.0 in x H: 28.5 in
Foot Print	W: 7.5 in x D: 7.5 in
Body	W: 7.5 in x D: 7.5 in x H: 15.5 in
Shade Top	Dia: 12.5 in
Shade Side	H: 12.5 in
Shade Bottom	Dia: 18.0 in
Neck	Dia: 0.5 in x H: 5.75 in

### WIRING

Wire Rating	Indoor Only
Socket	2, Type A - E26
Suggested Bulb Type	A19
Switch	On Line, On/Off Rocker
Maximum Wattage	60.0
Voltage	110-120 V

### CERTIFICATIONS & COMPLIANCY

Compliance	RoHS
------------	------

### SHIPPING

Product Weight	18.3 lbs
Gross Weight 1	25.0 lbs
Shipping Box 1	W: 11.3 in x D: 11.3 in x H: 27.5 in
Shipping Box 2	W: 19.3 in x D: 19.3 in x H: 34.0 in

### CONTRACT

Contract Suitability	Contract Suitable As Is
Tilt Test Degrees	10 Degrees

### REPLACEMENT PARTS

GKPTC02FIN