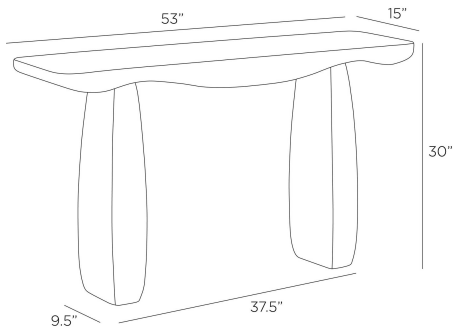


MELT OUTDOOR CONSOLE

Workshop/APD



GAFLS01
Smoke, Concrete Composite

The Melt outdoor console's simple planar top, gently curved on the underside where it meets each of its supporting pillars - appear to be caught mid-transformation. The smoke concrete composite is streamlined, flat top, carved beneath as if it were touched by heat and caught mid-melt, has a flowing, draping quality that feels fresh and modern in its contrasts. Finish will vary.

APPEARANCE

Materials	Concrete Composite
Finishes	Smoke
Finish Will Vary	Yes
Top Coat/Sealant	Yes

DIMENSIONS

Overall	W: 53 in x D: 15 in x H: 30 in
Foot Print	W: 37.5 in x D: 9.5 in
Leg	W: 5 in x D: 9.5 in x H: 28.5 in
Table Top	W: 53 in x D: 15 in x H: 3.5 in
Diagonal Dimensions	W: 34 in

SHIPPING

Shipping Requirements	Truck Ship
Product Weight	183.0 lbs
Gross Weight 1	103.6 lbs
Gross Weight 2	92.6 lbs
Shipping Box 1	W: 14.25 in x D: 33.0 in x H: 10.0 in
Shipping Box 2	W: 20.0 in x D: 57.5 in x H: 8.0 in

ADDITIONAL INFO

Features	Assembly Required
Base/Foot Type	Non-Adjustable Nylon Glides

CONTRACT

Contract Suitability	Contract Suitable As Is
----------------------	-------------------------