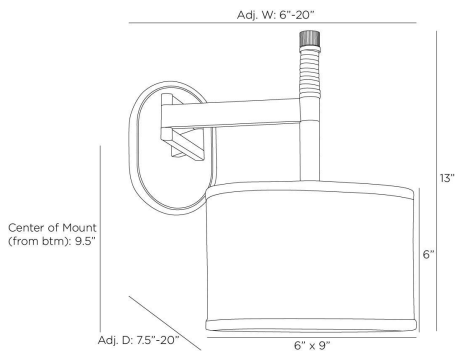


ARTERIOS

STITCH SCONCE

Workshop/APD



GADWC05
Antique Brass, Steel

The Stitch sconce is a beautiful alternative to bedside lamps, the sconce features stitched cream leather detailing and a simple oval linen shade, a minimal hinged antique brass-plated iron armature, and inverted light source to cast a soft glow wherever it is needed.

APPEARANCE

Materials	Steel, Leather, Linen, Acrylic
Finishes	Antique Brass, Cream, White, White
Finish Will Vary	Yes
Top Coat/Sealant	Yes

DIMENSIONS

Overall	W: 6 in x D: 20 in x H: 13 in
Overall Adjustable	W: 6-20 in x D: 7.5-20 in
Backplate	W: 5 in x D: 1 in x H: 7 in
Shade	W: 6 in x D: 9 in x H: 6 in
Wall Sconce Hanging Orientation	Vertical Only
Center of Mount from Bottom	H: 9.5 in

WIRING

Wire Rating	Damp
Cord	0.5 FT, Black/White, SVT
Socket	1, Type A - E26
Suggested Bulb Type	G16.5
Maximum Wattage	60.0
Voltage	110-120 V

CERTIFICATIONS & COMPLIANCY

Certifications	Mexico, United States, Canada
Compliance	RoHS, UL/ETL

SHIPPING

Product Weight	5.0 lbs
Gross Weight 1	6.5 lbs
Shipping Box 1	W: 12.6 in x D: 16.5 in x H: 20.5 in

CONTRACT

Contract Suitability	Contract Suitable As Is
----------------------	-------------------------