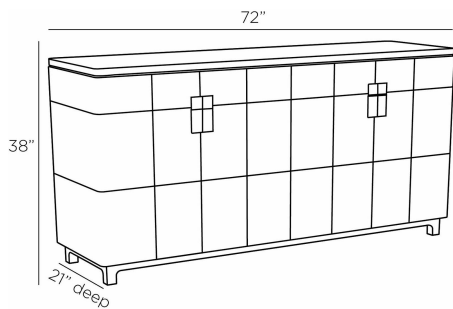


ARTERIOS

BRAELYN CREDENZA



FZI02
Ivory, Vellum

Delivering both form and function, this European Art Deco-inspired credenza is updated for a modern era. A wrapped ivory vellum-paneled façade is framed by solid oak in an ebony finish. Accented by antiqued cast brass hardware inspired by Greek jewelry, it opens to reveal adjustable shelving and four drawers lined in sumptuous suede. Vellum will vary.

APPEARANCE

Materials	Vellum, Wood, Brass
Finishes	Ivory, Ebony, Antique Brass
Finish Will Vary	Yes
Top Coat/Sealant	Yes

DIMENSIONS

Overall	W: 72 in x D: 21 in x H: 38 in
Foot Print	W: 70 in x D: 17 in
Leg	W: 2 in x D: 2 in x H: 4 in
Drawer Interior	W: 15.5 in x D: 16.5 in x H: 3.5 in
Shelf	W: 17 in x D: 18 in x H: 1 in
Diagonal Dimensions	W: 43 in

SHIPPING

Shipping Requirements	Special Handling Required
Product Weight	294.5 lbs
Gross Weight 1	319.73 lbs
Shipping Box 1	W: 29.0 in x D: 80.0 in x H: 50.0 in

ADDITIONAL INFO

Disclaimers	This item is made from genuine vellum parchment leather which is a natural material. Due to this, color variation is inherent and no two will be identical. Keep away from highly humid or damp areas to avoid bubbling.
-------------	--

Shelf Count	4
-------------	---

CONTRACT

Contract Suitability	Contract Suitable With Conditions
Contract Conditions	For an additional fee, a clear, protective coating can be added