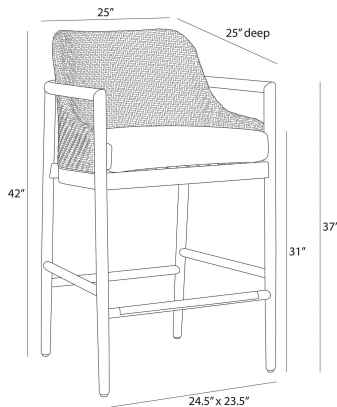


CHILTON OUTDOOR BAR STOOL



FSS12
Pearl, Bouclé

A taller adaptation of our popular chair, the Chilton updates the sleek lines and open arms of a Mid-Century icon. An organic spin on the era's design, the sculptural back of dark blonde synthetic rattan is cradled by a solid natural teak wood frame. A supportive cushion of our pearl outdoor performance bouclé was designed to withstand the elements. Finished with stainless steel footrest caps. Finish will vary.

APPEARANCE

Materials	Bouclé, Rattan, Wood
Finishes	Pearl, Dark Blonde, Natural
Finish Will Vary	Yes
Top Coat/Sealant	No

DIMENSIONS

Overall	W: 25 in x D: 25 in x H: 42 in
Foot Print	W: 24.5 in x D: 23.5 in
Arm	W: 1.5 in x D: 15 in x H: 37 in
Back Leg	Dia: 1.0 in x H: 36 in
Front Leg	Dia: 1.0 in x H: 25 in
Seat Back	W: 19 in x D: 1 in x H: 12 in
Seat	W: 22 in x D: 18.5 in x H: 31 in
Diagonal Dimensions	W: 50 in

SHIPPING

Shipping Requirements	Truck Ship
Product Weight	26.3 lbs
Gross Weight 1	45.6 lbs
Gross Weight 2	7 lbs
Shipping Box 1	W: 28.5 in x D: 28.5 in x H: 49.0 in
Shipping Box 2	W: 25.0 in x D: 25.0 in x H: 8.0 in

ADDITIONAL INFO

Fabric Certification	TB117-2013
Fabric Composition	100% Solution Dyed Acrylic
Fabric Cleaning Code	P - clean with detergent & water
Fabric Wear Abrasion	100,000
Reupholstery Requirements	1.5 Yards
Base/Foot Type	Non-Adjustable Nylon Glides

CONTRACT

Contract Suitability	Contract Suitable As Is
Contract Textile Suitability	High Traffic/Public Spaces

REPLACEMENT PARTS

OTDREPLFOOT1

SWATCHES

DBSRB 4x4 Swatch: Dark Blonde Synthetic Rattan Strndbrd SW

DBSRS 4x4 Swatch: Dark Blonde Synthetic Rattan W

NTWSW 4x4 Swatch: Natural Teak Wood

