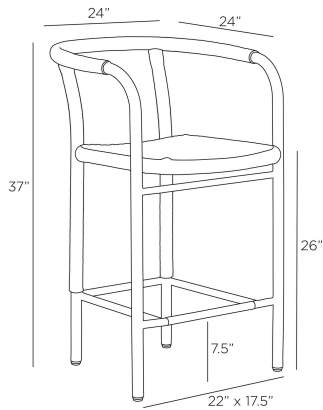


FELLER OUTDOOR COUNTER STOOL



FSS07
Fossil, Rope

Wrapped woven details elevate the simple, bistro-style body of the Feller. The graphic nature of its aluminum form is highlighted with a tone-on-tone gray powder coat. Finished with a sturdy fossil synthetic rope seat, this contemporary counter stool makes a stylish addition to any outdoor setting.

APPEARANCE

Materials	Rope, Aluminum, Aluminum
Finishes	Fossil, Gray, Brushed Steel
Finish Will Vary	No
Top Coat/Sealant	Yes

DIMENSIONS

Overall	W: 24 in x D: 24 in x H: 37 in
Foot Print	W: 22 in x D: 17.5 in
Arm	W: 1.5 in x D: 12 in x H: 36 in
Leg	Dia: 1.5 in
Seat	W: 19 in x D: 18.5 in x H: 26 in
Diagonal Dimensions	W: 43 in

SHIPPING

Shipping Requirements	Truck Ship
Product Weight	12.5 lbs
Gross Weight 1	25.0 lbs
Shipping Box 1	W: 25.2 in x D: 25.2 in x H: 38.5 in

ADDITIONAL INFO

Base/Foot Type	Non-Adjustable Nylon Glides
----------------	-----------------------------

CONTRACT

Contract Suitability	Contract Suitable As Is
----------------------	-------------------------

REPLACEMENT PARTS

FRS20FOOT

SWATCHES

FSPSBS 4x4 Swatch: Fossil Synthetic Rope Strandboard W

GPASW 4x4 Swatch: Gray Powder Coated Aluminum

FDSPSW5x5 Swatch: Fossil Synthetic Rope Weave