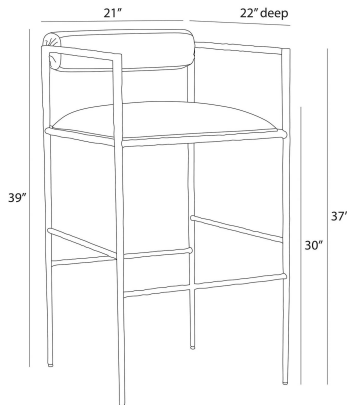


# ARTERIOS

## BARBANA BAR STOOL OXFORD WHITE



FSI20  
Oxford White, Fabric

This exquisite bar stool is perfectly poised, perched on delicate legs recalling an insect. A body of natural iron is hand-forged to yield soft impressions along its sharp-angled frame. The tight seat and bolster back are covered in performance fabric in Oxford white. Finish will vary.

### APPEARANCE

Materials	Fabric, Iron
Finishes	Oxford White, Natural Iron
Finish Will Vary	Yes
Top Coat/Sealant	Yes

### DIMENSIONS

Overall	W: 21 in x D: 22 in x H: 39 in
Arm	H: 37 in
Seat	H: 30 in

### SHIPPING

Shipping Requirements	Special Handling Required
Product Weight	52.5 lbs
Gross Weight 1	64.24 lbs
Shipping Box 1	W: 23.0 in x D: 25.0 in x H: 45.0 in

### ADDITIONAL INFO

Fabric Certification	NFPA-260, TB117-2013
Fabric Composition	70% Polyester, 15% Viscose, 10% Acrylic
Fabric Cleaning Code	P - clean with detergent & water
Fabric Wear Abrasion	50,000
Fabric PFAS Free	Yes
Reupholstery Requirements	1 Yard   Seat: 0.6 Yards   Bolster: 0.4 Yards

### CONTRACT

Contract Suitability	Contract Suitable With Conditions
Contract Conditions	For an additional fee, a clear, protective coating can be added
Contract Textile Suitability	High Traffic/Public Spaces

### REPLACEMENT PARTS

BARBANAFEET

### SWATCHES

X79SW 4x4 Swatch: Oxford White Performance Fabric