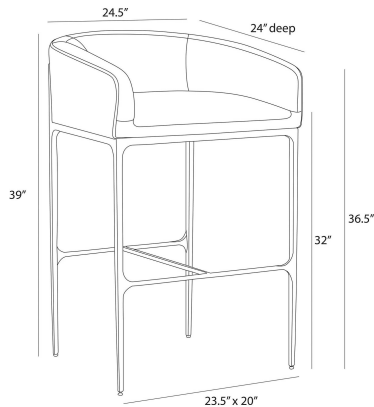


ARTERIOS

OSBOURNE BAR STOOL



FS116
Black, Leather

A hammered blackened iron frame and handsome black leather make this bar stool ultra-chic. The low, barrel-style shape gives lumbar comfort and support while allowing the stool to tuck neatly under a bar top. The modern style brings sophistication and polish to a space. Finish will vary.

APPEARANCE

Materials	Leather, Iron
Finishes	Black, Blackened Iron
Finish Will Vary	Yes
Top Coat/Sealant	Yes

DIMENSIONS

Overall	W: 24.5 in x D: 24 in x H: 39 in
Foot Print	W: 23.5 in x D: 20 in
Arm	W: 4.5 in x D: 18 in x H: 36.5 in
Leg	H: 18 in
Seat Back	H: 8 in
Seat	W: 15 in x D: 18 in x H: 32 in
Diagonal Dimensions	W: 46 in

SHIPPING

Shipping Requirements	Special Handling Required
Product Weight	47.4 lbs
Gross Weight 1	59.52 lbs
Shipping Box 1	W: 26 in x D: 30 in x H: 43 in

ADDITIONAL INFO

Fabric Certification	NFPA-260, TB117-2013
Fabric Composition	100% Leather
Fabric Cleaning Code	Leather Cleaner
Reupholstery Requirements	27 Square Feet 1.5 Yards

CONTRACT

Contract Suitability	Contract Suitable As Is
Contract Textile Suitability	High Traffic/Public Spaces

REPLACEMENT PARTS

OSBOURNEFOOT

SWATCHES

T45SW 4x4 Swatch: Black Leather