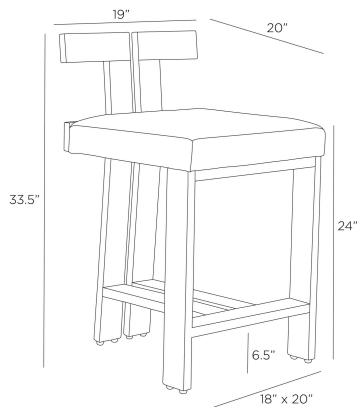


ENOLA COUNTER STOOL



FS115
Natural, Linen

A modern mix of '70s American design with Zen architecture, this elegant stool has an Eastern appeal. Crafted of ribbed beech wood stained in ebony, the split back is accented with antique brass studs at very center. A padded seat of natural linen adds style and comfort.

APPEARANCE

Materials	Linen, Wood, Brass
Finishes	Natural, Ebony, Antique Brass
Finish Will Vary	No
Top Coat/Sealant	Yes

DIMENSIONS

Overall	W: 19 in x D: 20 in x H: 33.5 in
Foot Print	W: 18 in x D: 20 in
Seat Cushion Thickness	H: 4 in
Leg	W: 1 in x D: 3 in x H: 21.5 in
Seat Back	W: 18 in x D: 1 in x H: 9 in
Seat	W: 19 in x D: 19 in x H: 24 in
Diagonal Dimensions	W: 39 in

SHIPPING

Shipping Requirements	Truck Ship
Product Weight	30.4 lbs
Gross Weight 1	37.71 lbs
Shipping Box 1	W: 36.0 in x D: 24.0 in x H: 27.5 in

ADDITIONAL INFO

Fabric Certification	NFPA-260, TB117-2013
Fabric Composition	100% Linen
Fabric Cleaning Code	S - dry clean only
Fabric Wear Abrasion	5,000
Reupholstery Requirements	1 Yard
Base/Foot Type	Glides

CONTRACT

Contract Suitability	Contract Suitable With Conditions
Contract Conditions	For an additional fee, a clear, protective coating can be added
Contract Textile Suitability	Not Contract Suitable

SWATCHES

L02SW 4x4 Swatch: Natural Linen