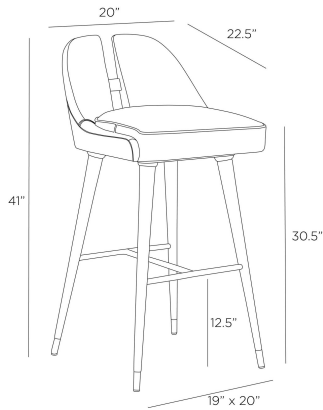


# ARTERIOS

## CROWLEY BAR STOOL



FS112  
Black, Leather

The ideal balance of masculine and feminine, a sleek slit detail mimics an alluring open-backed dress. Upholstered in soft black leather, this bar stool is enhanced with polished antique brass joinery. Poised on slim, ebony beech wood legs tipped in brass. Leather will vary.

### APPEARANCE

Materials	Leather, Wood, Brass
Finishes	Black, Ebony, Antique Brass
Finish Will Vary	Yes
Top Coat/Sealant	Yes

### DIMENSIONS

Overall	W: 20 in x D: 22.5 in x H: 41 in
Foot Print	W: 19 in x D: 20 in
Seat Cushion Thickness	H: 4 in
Leg	Dia: 2.0 in x H: 26 in
Seat Back	W: 18.5 in x D: 2.5 in x H: 10.5 in
Seat	W: 18 in x D: 18 in x H: 30.5 in
Diagonal Dimensions	W: 47 in

### SHIPPING

Shipping Requirements	Truck Ship
Product Weight	34.5 lbs
Gross Weight 1	39.69 lbs
Shipping Box 1	W: 42.0 in x D: 25.6 in x H: 25.6 in

### ADDITIONAL INFO

**Disclaimers**  
This piece is made with genuine leather. The variations in color are a natural characteristic of leather and may increase over time, adding to the individuality of your item. Please keep this away from prolonged intense sunlight, heat and humidity.

Fabric Certification	NFPA-260, TB117-2013
Fabric Composition	100% Leather
Fabric Cleaning Code	Leather Cleaner
Reupholstery Requirements	45 Square Feet   2.5 Yards
Base/Foot Type	Glides

### CONTRACT

Contract Suitability	Contract Suitable As Is
Contract Textile Suitability	High Traffic/Public Spaces

### SWATCHES

T45SW 4x4 Swatch: Black Leather