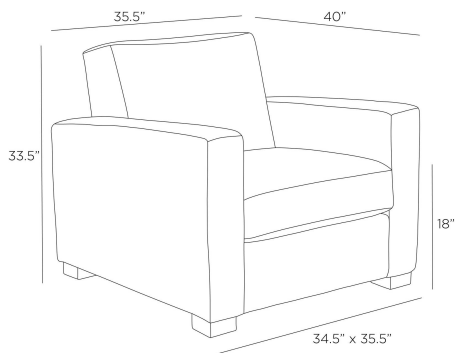


ARTERIOS

DODSON CHAIR CLOUD BOUCLÉ



FRU07
Cloud, Bouclé

Perfectly proportioned, a classic club chair is upholstered up and over from square back to deep seat in a cloud bouclé. Accented with low legs of ebony wood, it makes a comfortable accent for any living area.

APPEARANCE

Materials	Bouclé, Wood
Finishes	Cloud, Grey Ash
Finish Will Vary	No
Top Coat/Sealant	No

DIMENSIONS

Overall	W: 35.5 in x D: 40 in x H: 33.5 in
Foot Print	W: 34.5 in x D: 35.5 in
Arm	W: 6 in x D: 37 in x H: 24 in
Leg	W: 4 in x D: 4 in x H: 2 in
Seat Back	W: 25.5 in x D: 9 in x H: 15 in
Seat	W: 24.5 in x D: 23.5 in x H: 18 in
Diagonal Dimensions	W: 52.5 in

SHIPPING

Shipping Requirements	Special Handling Required
Product Weight	90.1 lbs
Gross Weight 1	92.0 lbs
Shipping Box 1	W: 41.0 in x D: 40.0 in x H: 37.5 in

ADDITIONAL INFO

Fabric Certification	NFPA-260, TB117-2013
Fabric Composition	20% Acrylic, 10% Polyester, 15% Cotton, 50% Viscos
Fabric Cleaning Code	S - dry clean only
Fabric Wear Abrasion	25,000
Reupholstery Requirements	6 Yards
Base/Foot Type	Nylon Tack Glides

CONTRACT

Contract Suitability	Contract Suitable As Is
Contract Textile Suitability	Low Traffic/Private Spaces

SWATCHES

X59SW 4x4 Swatch: Cloud Bouclé