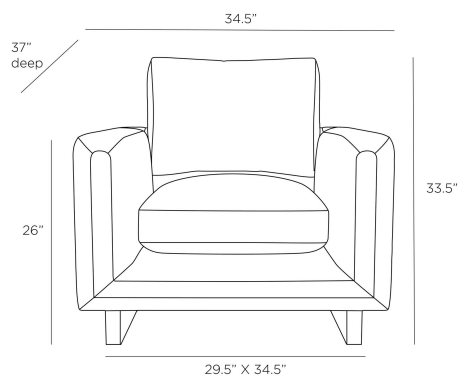


# ARTERIOS

## LOVELL CHAIR OYSTER LINEN DARK



FRU02  
Oyster, Linen

Modern and timeless, an extension of the Lovell sofa offers a new take on the tuxedo silhouette. The focal point of this chair's design is its wrap-around, cushioned arms, which add a sophisticated detail. Fully upholstered in oyster linen, the handsome frame rests on exposed wooden sled legs in a dark walnut finish. Tailored, yet comfortable, with fiber-down cushions and generous proportions. Finish will vary.

### APPEARANCE

Materials	Linen, Wood
Finishes	Oyster, Dark Walnut
Finish Will Vary	Yes
Top Coat/Sealant	No

### DIMENSIONS

Overall	W: 34.5 in x D: 37 in x H: 33.5 in
Foot Print	W: 29.5 in x D: 34.5 in
Arm	W: 7 in x D: 36 in x H: 26 in
Leg	H: 5.5 in
Seat Back	W: 22 in x D: 10 in x H: 14.5 in
Seat	W: 21 in x D: 22 in x H: 19 in
Diagonal Dimensions	W: 41 in

### SHIPPING

Shipping Requirements	Special Handling Required
Product Weight	80.0 lbs
Gross Weight 1	90.0 lbs
Shipping Box 1	W: 37.0 in x D: 34.5 in x H: 33.5 in

### ADDITIONAL INFO

Fabric Certification	Barrier Cloth used for TB117-2013 and NFPA-260
Fabric Composition	52% Linen, 38% Viscose, 10 % Nylon
Fabric Cleaning Code	S - dry clean only
Fabric Wear Abrasion	30,000
Reupholstery Requirements	5.5 Yards
Base/Foot Type	Glides

### CONTRACT

Contract Suitability	Contract Suitable With Conditions
Contract Conditions	For an additional fee, a clear, protective coating can be added
Contract Textile Suitability	Low Traffic/Private Spaces

### SWATCHES

L16SW 4x4 Swatch: Oyster Linen