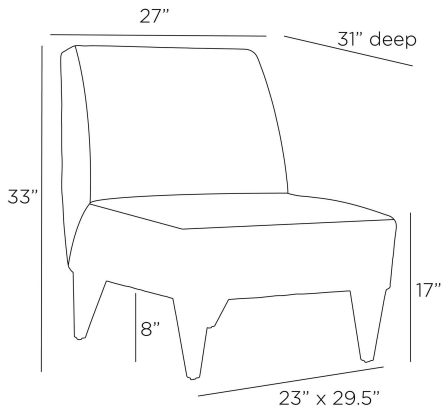


ARTERIOS

TRUDELL CHAIR INK LEATHER DARK



FRU01
Ink, Leather

Sleek and stylish, the Truella is designed with a full seat and back cushion in ink leather, with a gently reclined back. The slipper chair is constructed with uniquely angled, dark walnut legs with antique brass accents made of iron, emphasizing the angled seat and create a striking profile from any direction. Finish will vary.

APPEARANCE

Materials	Leather, Wood, Iron
Finishes	Ink, Dark Walnut, Antique Brass
Finish Will Vary	Yes
Top Coat/Sealant	No

DIMENSIONS

Overall	W: 27 in x D: 31 in x H: 33 in
Foot Print	W: 23 in x D: 29.5 in
Leg	H: 8 in
Seat Back	H: 16.5 in
Seat	W: 27 in x D: 19.5 in x H: 17 in
Diagonal Dimensions	W: 40 in

SHIPPING

Shipping Requirements	Truck Ship
Product Weight	38.0 lbs
Gross Weight 1	45.0 lbs
Shipping Box 1	W: 32 in x D: 32 in x H: 38 in

ADDITIONAL INFO

Fabric Certification	NFPA-260, TB117-2013
Fabric Composition	100% Leather
Fabric Cleaning Code	S - dry clean only
Reupholstery Requirements	36 Square Feet 2 Yards

CONTRACT

Contract Suitability	Contract Suitable With Conditions
Contract Conditions	For an additional fee, a clear, protective coating can be added
Contract Textile Suitability	High Traffic/Public Spaces

SWATCHES

T12SW 4x4 Swatch: Ink Leather