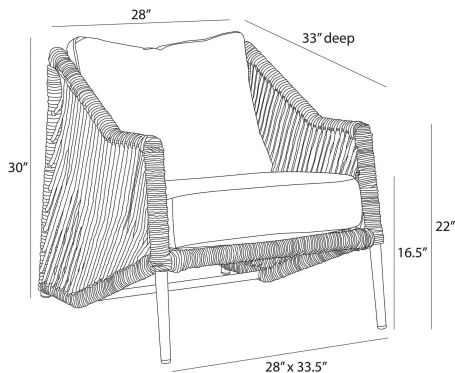


KIKI OUTDOOR CHAIR



FRS23
Pearl, Bouclé

Made to cradle the body, the rope-like form of this tan woven synthetic rattan chair invites pure relaxation. Constructed with a diagonal weave, its angular form is suspended on a framework of beige aluminum. A seat and back cushion of pearl outdoor performance bouclé add to the comfort of this inviting style.

APPEARANCE

Materials	Bouclé, Rattan, Aluminum
Finishes	Pearl, Tan, Beige
Finish Will Vary	No
Top Coat/Sealant	No

DIMENSIONS

Overall	W: 28 in x D: 33 in x H: 30 in
Foot Print	W: 28 in x D: 33.5 in
Arm	W: 9.5 in x D: 2 in x H: 22 in
Leg	H: 9.5 in
Seat Back	W: 23 in x D: 8 in x H: 16 in
Seat	W: 25 in x D: 26 in x H: 16.5 in
Diagonal Dimensions	W: 48 in

SHIPPING

Shipping Requirements	Truck Ship
Product Weight	28.8 lbs
Gross Weight 1	42.33 lbs
Gross Weight 2	15.0 lbs
Shipping Box 1	W: 30.0 in x D: 34.5 in x H: 29.0 in
Shipping Box 2	W: 30.0 in x D: 30.0 in x H: 10.0 in

ADDITIONAL INFO

Fabric Certification	TB117-2013
Fabric Composition	100% Solution Dyed Acrylic
Fabric Cleaning Code	P - clean with detergent & water
Fabric Wear Abrasion	100,000
Reupholstery Requirements	4 Yards

CONTRACT

Contract Suitability	Contract Suitable As Is
Contract Textile Suitability	High Traffic/Public Spaces

REPLACEMENT PARTS

FRS23BFOOT
FRS23FFOOT

SWATCHES

TPSR5W 5x5 Swatch: Tan Synthetic Rattan Wrapped
TSR5BS 4x4 Swatch: Tan Synthetic Rattan Strandboard W
X75SW 4x4 Swatch: Pearl OTD Performance Bouclé