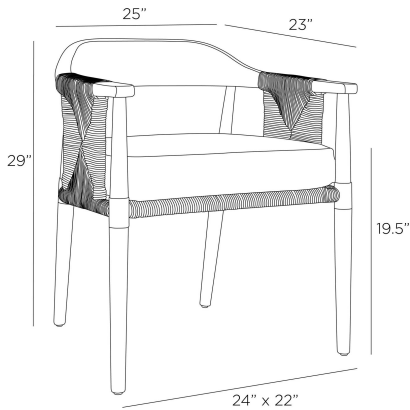


## ESTES OUTDOOR DINING CHAIR



FRS16  
Pearl, Bouclé

An indoor Mid-Century style tuned up for the outdoors, the Estes dining chair is adorned with unexpected woven willow synthetic rope accents on each arm. Crafted of honey-stained teak, the low-backed frame has tailored metal block accents of blackened bronze cuffs on each leg. Topped with a cushion of our pearl outdoor performance bouclé. Finish will vary.

### APPEARANCE

Materials	Bouclé, Rope, Wood, Aluminum
Finishes	Pearl, Willow, Honey, Blackened Bronze
Finish Will Vary	Yes
Top Coat/Sealant	No

### DIMENSIONS

Overall	W: 25 in x D: 23 in x H: 29 in
Foot Print	W: 24 in x D: 22 in
Arm	W: 2.5 in x D: 14 in x H: 25.5 in
Seat Back	W: 1 in x D: 18 in x H: 11 in
Seat	W: 21 in x D: 18.5 in x H: 19.5 in
Diagonal Dimensions	W: 34 in

### SHIPPING

Shipping Requirements	Truck Ship
Product Weight	17.6 lbs
Gross Weight 1	25.0 lbs
Gross Weight 2	7.0 lbs
Shipping Box 1	W: 27.95 in x D: 49.21 in x H: 34.25 in
Shipping Box 2	W: 30.0 in x D: 40.0 in x H: 8.0 in

### ADDITIONAL INFO

Fabric Certification	TB117-2013
Fabric Composition	100% Solution Dyed Acrylic
Fabric Cleaning Code	P - clean with detergent & water
Fabric Wear Abrasion	100,000
Reupholstery Requirements	1.5 Yards
Base/Foot Type	Non-Adjustable Glides

### CONTRACT

Contract Suitability	Contract Suitable As Is
Contract Textile Suitability	High Traffic/Public Spaces

### REPLACEMENT PARTS

OTDREPLFOOT1

### SWATCHES

HWSW	2x2 Swatch: Honey Stained Teak Wood
WCSPS	6x6 Swatch: Willow Cross Weave Synthetic Rope W
X75SW	4x4 Swatch: Pearl OTD Performance Bouclé