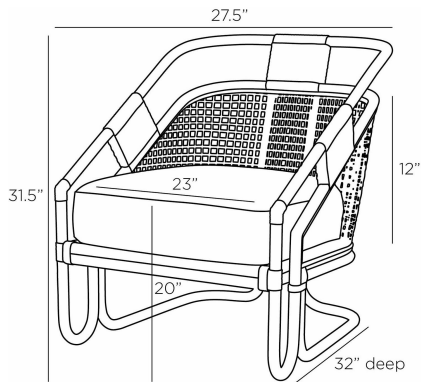


# ARTERIOS

## BEGALA LOUNGE CHAIR



FRS08  
Bone, Linen

Woven in an American Art Deco style, our gray-washed finished lounge chair utilizes an intriguing mix of open and closed rattan. Featuring a high square back and serpentine arms, a cushion of ivory linen completes this comfortable lounge chair. Rattan and leather will vary.

### APPEARANCE

Materials	Linen, Rattan
Finishes	Bone, Gray Wash
Finish Will Vary	Yes
Top Coat/Sealant	Yes

### DIMENSIONS

Overall	W: 27.5 in x D: 32 in x H: 31.5 in
Foot Print	W: 26.5 in x D: 27 in
Arm	H: 26.5 in
Seat Back	W: 19 in x H: 12 in
Seat	W: 23 in x D: 25 in x H: 20 in
Diagonal Dimensions	W: 32 in

### SHIPPING

Shipping Requirements	Truck Ship
Product Weight	39.7 lbs
Gross Weight 1	44.1 lbs
Gross Weight 2	8.0 lbs
Shipping Box 1	W: 33.5 in x D: 30.0 in x H: 34.8 in
Shipping Box 2	W: 34.8 in x D: 34.8 in x H: 8.0 in

### ADDITIONAL INFO

Fabric Certification	Barrier Cloth used for TB117-2013 and NFPA-260
Fabric Composition	100% Belgian Linen
Fabric Cleaning Code	S - dry clean only
Fabric Wear Abrasion	25,000
Reupholstery Requirements	2.5 Yards
Base/Foot Type	Glides

### CONTRACT

Contract Suitability	Contract Suitable With Conditions
Contract Conditions	Not for use in high traffic/public spaces
Contract Textile Suitability	Low Traffic/Private Spaces

### SWATCHES

L17SW 4x4 Swatch: Bone Linen